

FESTIVAL H12

A 2.0W coloured cover globe shaped Ø40mm lamp bulb, comes with high brightness OPTILED LED (Light-Emitting-Diode). Completed with coloured covers and integrated power circuit suitable for 100V-240V AC 50/60Hz input.



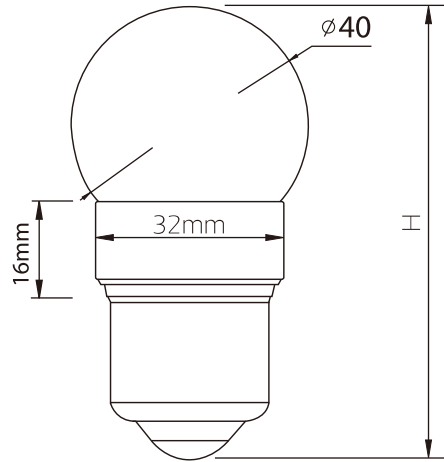
LED LAMPS

Applications:
1. Architectural & decorative lighting
2. Hotel lighting
3. Landscape lighting
4. Entertainment & casino lighting

Features	Benefits
1. Various Colour Selection	Suit for different applications and creating colour effects
2. Coloured Cover	Produce even light distribution and reduce glare
3. Non-breakable Material	Safe & durable lamp cover

OPTILED

www.optiled.com



	H
E26/24 Base	73mm
E27/27 Base	77mm

Part No.	Colour	Colour Temp. (2)	Lumen (lm)	CRI (Ra)
120801BBAA	Amber	585~610nm	9	N/A
120802BBAA	Blue	455~470nm	4	N/A
120803BBAA	Green	515~535nm	12	N/A
120804BBAA	Red	620~640nm	14	N/A
120805BBAA	Warm White	2800K	12	80
120806BBAA	Daylight	6000K	17	80

BB indicated lamp base : 01 = E27 ; 02= E26/24

AA indicated approval applicable (and packing detail) : 05 = CE version ; 17= UL version



(1) Contents and specifications are subject to change without prior notice.

(2) Colour Temp. (Typical).

(3) When equipped with water proof fixture