

# ROCKET - PAR30 REFLECTOR LAMP

In the world of lighting design, incandescent PAR lamps are always the key to provide essential accent lighting. The OPTILED ROCKET provides a superior energy saving solution to traditional PAR30 bulbs.



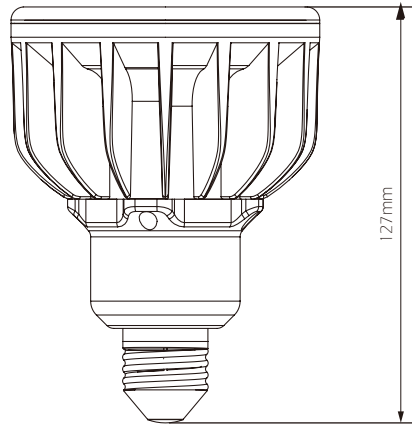
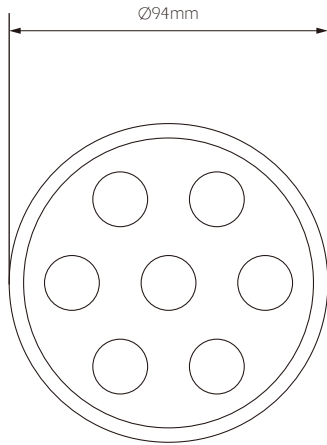
LED LAMPS

Applications:
1. Shop lighting
2. Accent lighting

Features	Benefits
1. High Efficacy	Cost saving in energy consumption
2. Long Life Span	Reduce maintenance costs compared with traditional incandescent bulb
3. Incandescent Base	Suitable for existing fixture

OPTILED

[www.optiled.com](http://www.optiled.com)



**E26 / E27 Base**

Part No.	Colour	Colour Temp. <sup>(3)</sup> (K)	Lumen (lm)	Central Intensity (cd)	CRI (Ra)	Beam Angle
150405BBAA	Warm White	2800	555	2100	80	28°
150407BBAA	Natural White	4000	555	2100	80	28°
150406BBAA	Daylight	6000	660	2400	80	28°

BB indicated lamp base : 01 = E27 ; 02= E26/24

AA indicated approval applicable (and packing detail) : 05 = CE version ; 17= UL version



- (1) For indoor use only.
- (2) Contents and specifications are subject to change without prior notice.
- (3) Colour Temp. (Typical).