

FESTIVAL H13-VF

A 2.0W clear globe shaped 40mm lamp bulb comes with high brightness OPTILED LED (light-Emitting-Diode). Built-in patented virtual filament and integrated power circuit suitable for 100V-240V AC 50/60Hz input.



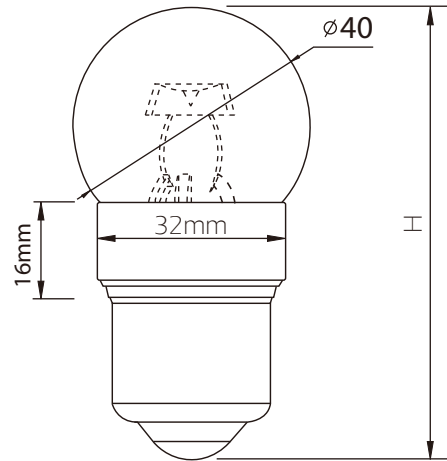
LED LAMPS

Applications:
1. Architectural & decorative lighting
2. Hotel lighting
3. Landscape lighting
4. Entertainment & casino lighting

Features	Benefits
1. Patented Virtual Filament	Create sparkling colour effect
2. Various Colour Selection	Suit for different applications and creating colour effects
3. Non-breakable Material	Safe & durable lamp cover

OPTILED

www.optiled.com



	H
E26/24 Base	73mm
E27/27 Base	77mm

Part No.	Colour	Colour Temp (2)	Lumen (lm)	CRI (Ra)
120901BBAA	Amber	585~610nm	10	N/A
120902BBAA	Blue	455~470nm	6	N/A
120903BBAA	Green	515~535nm	15	N/A
120904BBAA	Red	620~640nm	15	N/A
120905BBAA	Warm White	2800K	32	80
120906BBAA	Daylight	6000K	32	80

BB indicated lamp base : 01 = E27 ; 02= E26/24

AA indicated approval applicable (and packing detail) : 05 = CE version ; 17= UL version



(1) Contents and specifications are subject to change without prior notice.

(2) Colour Temp. (Typical).

(3) When equipped with water proof fixture