

ROCKET - PAR30

In the world of lighting design, incandescent PAR lamps are always the key to provide essential accent lighting. The OPTILED ROCKET provides a superior energy saving solution to traditional PAR30 bulbs.



LED LAMPS

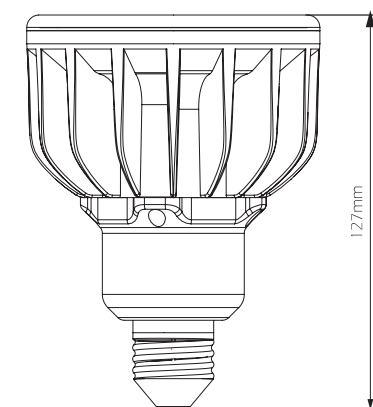
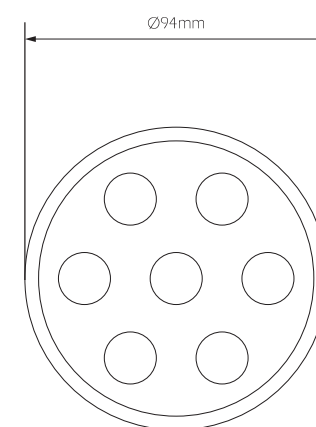
Applications:
1. Shop lighting
2. Accent lighting

Features	Benefits
1. High Efficacy	Cost saving in energy consumption
2. Long Life Span	Reduce maintenance costs compared with traditional incandescent bulb
3. Incandescent Base	Suitable for existing fixture

OPTILED

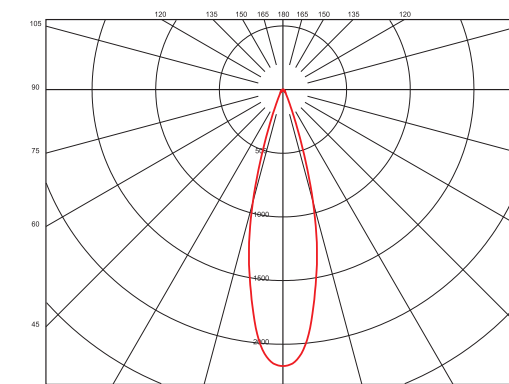
www.optiled.com

LED LAMPS | ROCKET PAR30



E27 Base

Light Distribution Curve (cd) - Warm White



Part No.	Colour	Colour Temp. (3) (K)	Lumen (lm)	Central Intensity (cd)	CRI (Ra)	Beam Angle
1504050105	Warm White	2800	555	2100	80	28°
1504070105	Natural White	4000	555	2100	80	28°
1504060105	Daylight	6000	660	2400	80	28°



(1) For indoor use only.
 (2) Contents and specifications are subject to change without prior notice.
 (3) Colour Temp. (Typical).

OPTILED

www.optiled.com

Copyright © 2011 OPTILED. All Rights Reserved.

MKT026-05/01/11