

V-Panel™ 12" Touchpanel Displays

- > Sleek, beautiful, versatile
- > 12" touchscreen display
- > 800 x 600 SVGA resolution
- > High-performance graphics and video
- > Industry's only HDCP-ready touchpanel controller
- > VESA-compatible mounting affords endless install options
- > Tabletop tilt model features clean, modern design
- > Wall mount model installs flush in shallow spaces
- > Contemporary appearance blends in anywhere
- > Significantly reduced wiring via DigitalMedia™ technology
- > Digital Graphics Engine (DGE)⁽¹⁾ installs up to 200 ft away⁽²⁾
- > Also works with the DVPHD Digital Video Processor
- > Built-in microphone and speakers
- > USB keyboard/mouse port
- > Cool, quiet fanless design
- > Available in white or black

Crestron® V-Panel touchpanels deliver a whole new level of style and function in a fresh new design offering exceptional versatility and the latest in Crestron digital touchpanel technology. Sleek and beautiful, our V-Panel Touchpanel Displays are perfectly at home sitting on a contemporary table or desktop, but are equally suited for all kinds of custom installations thanks to integral VESA mount compatibility. Complete connectivity is provided through a single cable connection that allows for long wire runs while affording an extremely clean appearance. V-Panel is also the world's only touchpanel control solution to support HDCP for complete compatibility with today's digital sources!

The V12 V-Panel Display, together with a DGE Digital Graphics Engine⁽¹⁾, delivers an elegant and powerful touchpanel control solution featuring blazingly fast performance with dual-window HD video⁽²⁾, streaming multimedia, IP intercom, and Web browsing. Its brilliant 12" SVGA display produces stunning 24-bit color graphics and video using the latest Isys i/O® touchpanel engine. Adjust AV and



lighting settings, surf the Internet, and browse your music and movie libraries with a natural sweep of the finger using new DNav Gestures.

Sleek, Versatile Design—Our V-Panels™ have been designed with appearance and versatility in mind. By separating the graphics engine hardware from the display, V-Panel allows the visible touchpanel element to be built smaller, lighter, cooler, and quieter. In fact, the V12 display is less than 2 inches deep and contains no cooling fans, so it's compact and silent. It can be mounted virtually anywhere using a third-party VESA 75 compliant mounting bracket or stand. A pre-configured tabletop tilt model (V12-TILT) is offered, supplied with its own ultra-stylish, smooth-tilt base to deliver a very sleek-looking, low-profile control solution for desktops, counters, and other level surfaces. A wall mount model (V12-WALL) is also offered, affording the same V-Panel style and function in a thoroughly modern, yet unimposing, flush mount design.

Digital Graphics Engine—For every V-Panel application, a DGE Digital Graphics Engine⁽¹⁾ is required. The DGE gets installed away from the touchpanel, typically at the central equipment location, dramatically simplifying its connection to the head end AV sources, switchers, and control network. A choice of DGEs is offered, allowing V-Panel to fit a range of applications and budgets. A single DigitalMedia™ cable⁽³⁾ connects the V12 to the DGE over a wiring distance of up to 200 feet, affording great installation flexibility while minimizing cost and complexity.

Touchpanel Control—Crestron touchpanels offer an ideal user-interface for multimedia presentation, home automation, and much more, providing a wide-open canvas for the creation of custom control screens tailored to the needs of the end-user. Touchpanels do away with piles of remote controls, cryptic control panels and cluttered wall switches, simultaneously expanding and simplifying control over a broad range of complex devices and systems.

Embedded PC—In combination with a DGE graphics engines, the V12 delivers embedded PC functionality with built-in Windows Media® Player and RealPlayer®, Internet Explorer, Adobe® Acrobat® Reader, and Microsoft® Office document viewers. While simultaneously controlling the home, boardroom, or lecture hall, the V12 and DGE provide everything needed for enjoying online music and movies, viewing Web pages and accessing most types of digital media without necessitating a separate computer. In addition, VNC Viewer support delivers enhanced cross-platform interaction with computers over the network or Internet, allowing remote access and control of desktop applications to unleash all kinds of new presentation and system integration possibilities.

HD Video and RGB Display⁽²⁾—The V12 can simultaneously display up to two fully-scalable, full-motion video windows⁽²⁾, each supporting standard video, HDTV⁽²⁾, and high-resolution RGB⁽²⁾ signals from external AV and computer sources. All connections are made at the DGE using conventional BNC, HDMI®, and VGA type cables⁽²⁾.



Flush Wall Mount

HDCP Support^[2]—Industry-leading support for HDCP (High-bandwidth Digital Content Protection) ensures seamless compatibility with content-protected DVD, Blu-ray Disc™, digital HDTV, and multimedia computer sources.

Streaming Video—Streaming video can also be viewed on the V12, supporting a variety of formats to enable access to everything from online digital media to live Web security cameras and servers like the Crestron CEN-NVS100.

Speakers and Microphone—Built-in front-firing speakers provide clear audio for external AV sources, streaming media, and internal PC applications, and enable 2-way intercom and VoIP communications in combination with the integrated microphone. Customized WAV files can be used to add dimension to the touchscreen graphics with personalized sounds, button feedback, and voice prompts.

IP Intercom—V-Panels support both wired and IP intercom. Wired intercom is facilitated through a single CAT5 audio connection to a C2N-IADS30X24 or any other Crestron Home® CAT5 switcher or processor. Crestron IP intercom enables direct panel-to-panel intercom and monitoring right over the LAN without requiring any special wiring.

Presentation Output—Through an RGB or HDMI connection at the DGE^[2], the V12 screen image can be sent to additional displays, allowing videos, PowerPoint presentations, annotation, and other on-screen media to be shared with a live audience. Music and presentation audio is also available for sharing with listeners throughout the home, office, or auditorium via digital and analog outputs, providing simple connectivity to Adagio®, DigitalMedia, and other audio distribution systems.

MediaMarker™ Annotation—Whether conducting a high-level boardroom meeting, training seminar, or watching sports in your home theater, annotation helps put the fine point on any presentation. Crestron MediaMarker annotation provides the ability to illustrate your thoughts on-the-fly, letting you draw and write over high-definition video and computer images, and sketch out ideas on a whiteboard screen, without leaving the podium or your favorite chair while other viewers watch on the big screen.

DVPHD Integration—In addition to the DGE-1 and 2, V-Panel is also compatible with the award-winning DVPHD High-Definition Digital Video Processor, enabling the display of up to 8 simultaneous video windows along with HD touchpanel graphics and annotation. The DVPHD supports high-definition video and computer signals from a wide variety of digital and analog sources. Its DVI output connects to the V-12 via a DM CAT transmitter or DigitalMedia switcher, enabling cable runs up to 450 feet (137 m).^[4]

Keyboard/Mouse Extender—The V12 includes a USB port for the connection of a keyboard and mouse, allowing full tactile control of the DGE's embedded PC. The same keyboard and mouse signal can also be routed through the system to control remote computers and other USB HID-compliant host devices.



Rear View – with cover plate removed



Rear View – Tilt model

AVAILABLE MODELS

V12-B V-Panel™ 12" VESA Mount Touchpanel Display, Black

V12-W V-Panel™ 12" VESA Mount Touchpanel Display, White

V12-TILT-B V-Panel™ 12" Tilt Touchpanel Display, Black

V12-TILT-W V-Panel™ 12" Tilt Touchpanel Display, White

V12-WALL-B V-Panel™ 12" Wall Mount Touchpanel Display, Black

V12-WALL-W V-Panel™ 12" Wall Mount Touchpanel Display, White

SPECIFICATIONS

Touchscreen Display

Display Type: TFT Active matrix color LCD

Size: 12 inch (305 mm) diagonal

Aspect Ratio: 4:3 SVGA

Resolution: 800 x 600 pixels

Brightness: 450 nits (cd/m²)

Contrast: 1000:1

Color Depth: 24-bit, 16.7M colors

Illumination: Backlit fluorescent

Viewing Angle: ±89° horizontal, ±89° vertical

Touchscreen: Resistive membrane

Buttons & Indicators

Hard Key: (1) Programmable pushbutton, also reboots the DGE if held for 5 seconds

DM Link: (1) Green LED, indicates connection to DGE or other DM device

Video

Refer to DGE-1, DGE-2, or DVPHD specifications for additional information.

Audio

Hardware Features: Built-in microphone and amplified speakers

Amplification: 3 Watts x 2 channels

Refer to DGE-1 or DGE-2 specification for additional information.

USB

Protocols: Supports USB HID class devices

Connectors

USB HID: (1) USB Type A female

USB 1.1 host port for connection of a mouse/keyboard or other USB HID-compliant device

DM INPUT: (1) DM CAT input composed of (2) 8-pin RJ45 female, shielded. Connects to DM CAT output of a DGE-1, DGE-2, DM transmitter, or DM switcher via DM-CBL or CresCAT-D cable^[3,4]

24 A B G: (1) 4-pin 3.5mm detachable terminal block, DMNet port
Connects to DMNet port of a DGE-1, DGE-2, DM transmitter, or DM switcher via DM-CBL or CresCAT-D cable^(3,4)

Power Requirements

DMNet Power Usage: 30 Watts (1.25 Amps @ 24 Volts DC), normally powered from DGE via DMNet connection

Environmental

Temperature: 41° to 113°F (5° to 45°C)
Humidity: 10% to 90% RH (non-condensing)
Heat Dissipation: 103 BTU/Hr

Enclosure

Plastic case, VESA 75x75 mm mountable.
V12-TILT model includes tabletop tilt stand with 0° to 35° adjustable screen tilt, optional swivel mount sold separately.
V12-WALL model includes WMKC-V12 wall mount conversion kit with plastic front bezel, additional mounting accessories sold separately.

Dimensions

V12: Height: 10.22 in (260 mm)
Width: 11.72 in (298 mm)
Depth: 1.66 in (42 mm)

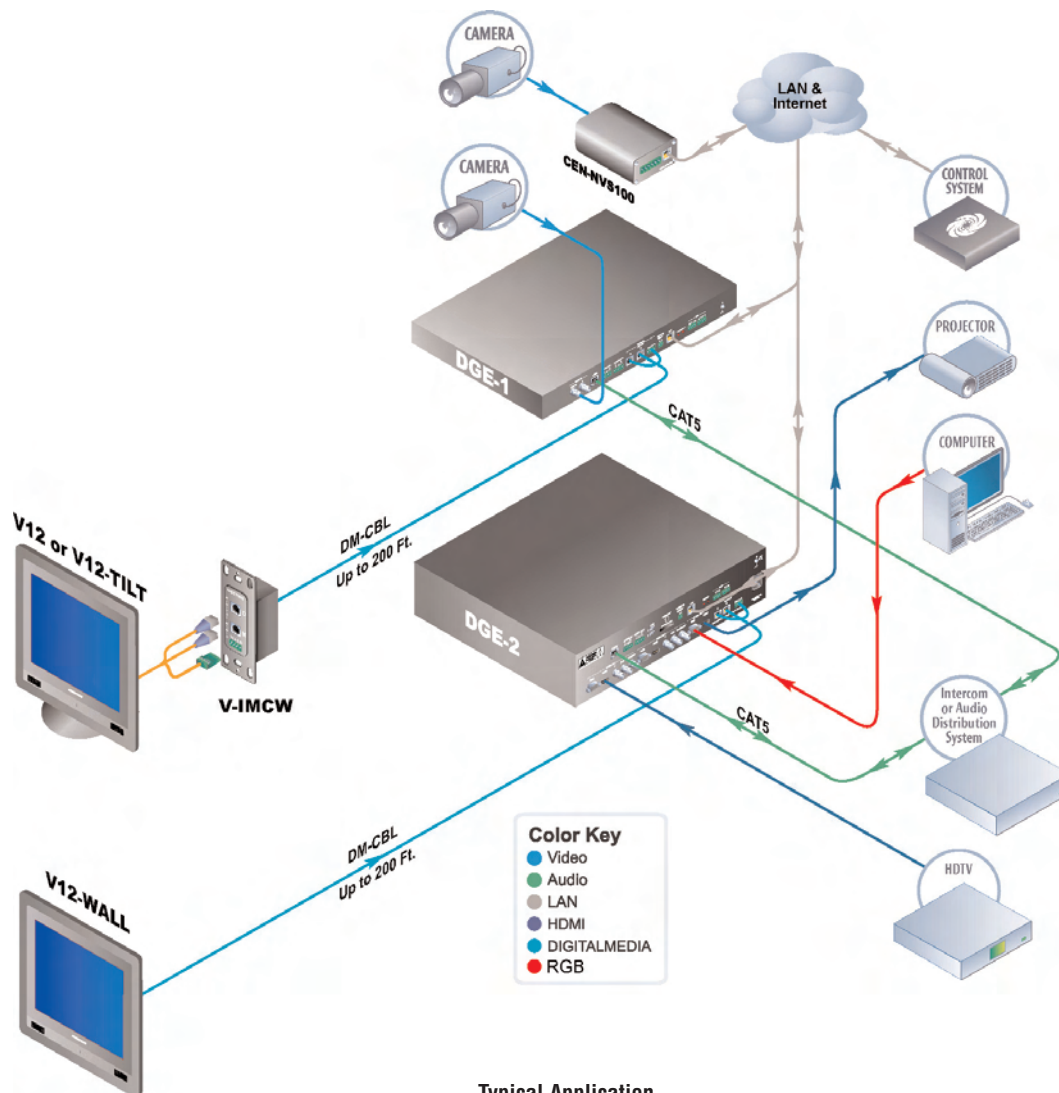
V12-TILT: Height: 10.81 in (275 mm) max at 0° tilt
Width: 11.72 in (298 mm)
Depth: 8.11 in (206 mm)

V12-WALL: Height: 11.54 in (293 mm)
Width: 13.04 in (332 mm)
Depth: 1.92 in (49 mm)

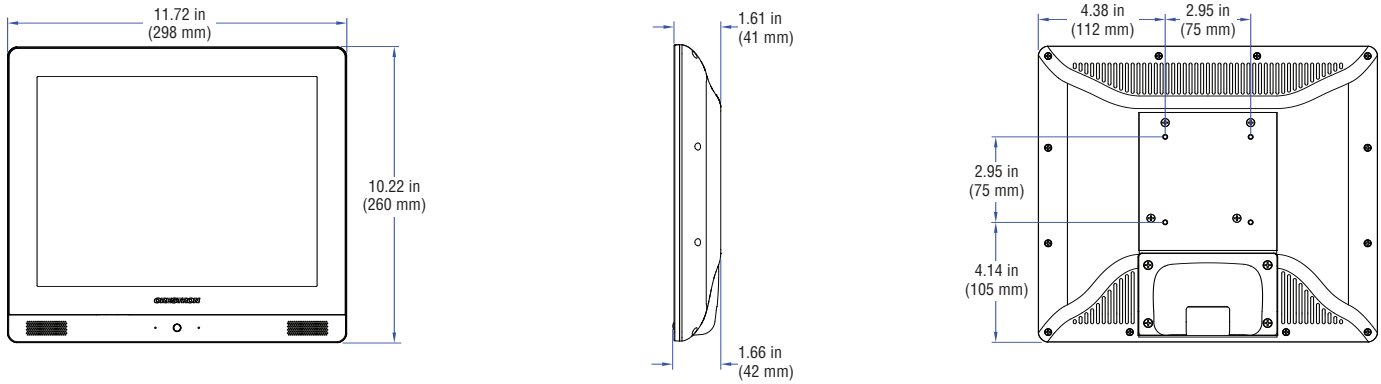
Weight

V12: 5.0 lb (2.3 kg)
V12-TILT: 9.0 lb (4.1 kg)
V12-WALL: 8.3 lb (3.8 kg)

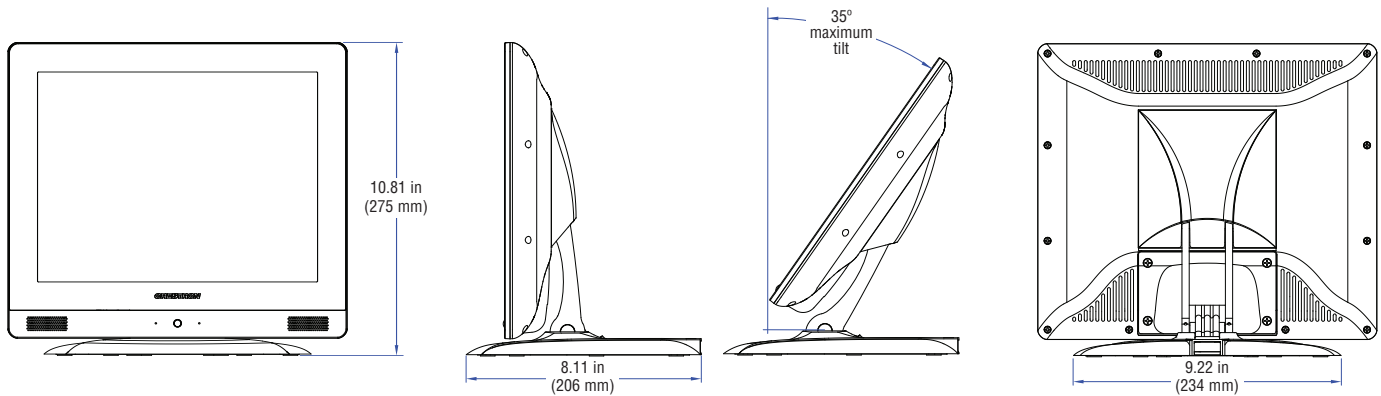
1. Item sold separately.
2. Support for dual video windows, high-definition, RGB/VGA, HDMI, and HDCP requires a DGE-2 Digital Graphics Engine. A DGE-1 supports a single video window displaying standard-definition analog via a BNC input connection.
3. For wiring between the V-Panel and DGE, use DM-CBL DigitalMedia Cable, CresCAT-D, or quality CAT5e/CAT6 cable. Do NOT use low-skew cable. The maximum allowable cable length is 200 ft (60 m) for DM-CBL, 150 ft (45 m) for others. In addition, the V12 model includes (1) V-CBL-T3 3 ft V-Cable and V-IMCW wall mount interface module, and the V12-TILT model includes (1) V-CBL-T6 6 ft V-Cable and V-IMCW wall mount interface module. The V12-WALL model includes no cable or interface module.
4. For wiring between the V-Panel and a DM CAT transmitter or switcher, use DM-CBL DigitalMedia Cable, CresCAT-D, or quality CAT5e/CAT6 cable. Do NOT use low-skew cable. The maximum allowable cable length depends on multiple factors. One or more DM Repeaters (Model DM-DR) may be required. Refer to the Crestron DigitalMedia Design Guide, Doc. #4789 for complete wiring guidelines.



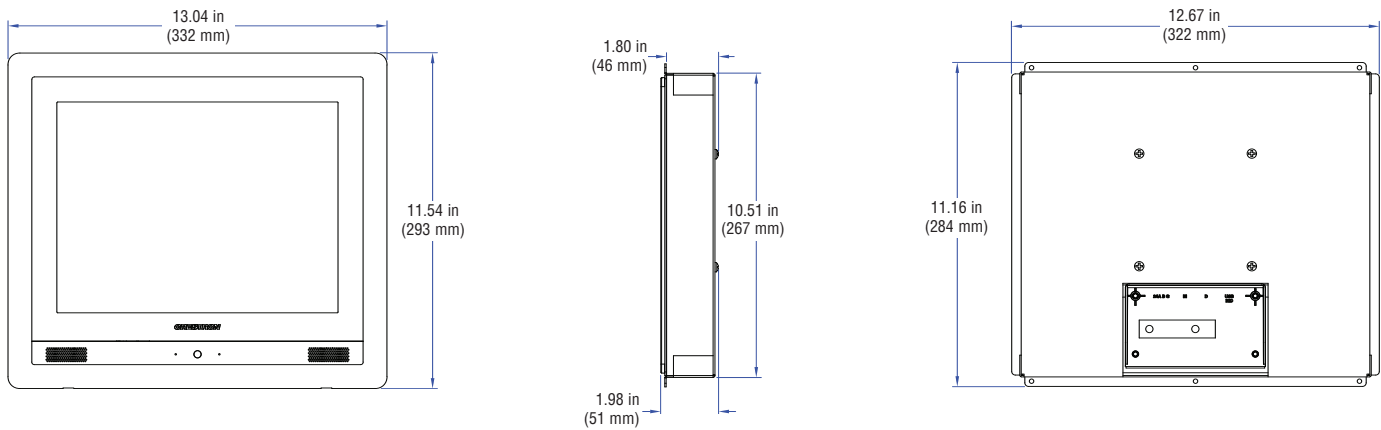
Typical Application



V12 VESA Mount Model – Front, Side, Rear Views



V12-TILT Tilt Model – Front, Side, Rear Views



V12-WALL Wall Mount Model – Front View (w/Bezel), Side & Rear Views (w/o Bezel)

INCLUDED ACCESSORIES

<p>V-IMCW V-Panel Interface Module (Included with V12 and V12-TILT models only)</p>	<p>V-CBL-T3 V-Cable Triamese Cable, 3 ft (Included with V12 models only)</p>	<p>V-CBL-T6 V-Cable Triamese Cable, 6 ft (Included with V12-TILT models only)</p>	<p>WMKC-V12 Wall Mount Conversion Kit for V12 (Included with V12-WALL models only)</p>
--	---	--	---

AVAILABLE ACCESSORIES

<p>DGE-1 Digital Graphics Engine</p>	<p>BB-V12 Pre-Construction Wall Mount Back Box for V12-WALL</p>	<p>WMKT-V12 Post-Construction Wall Mounting Kit w/Trim Ring for V12-WALL</p>	<p>V-CBL-T V-Cable Triamese Cables</p>
<p>DGE-2 Digital Graphics Engine</p>	<p>PMK-V12 Pre-Construction Wall Mounting Kit for V12-WALL</p>	<p>WMKM-V12 Post-Construction Wall Mounting Kit w/Mud Ring for V12-WALL</p>	<p>V-IMCW V-Panel Interface Module</p>
<p>SMK-V15 Swivel Mount Kit for V12-TILT</p>	<p>MMK-V12 Mud Ring for BB-V12 or PMK-V12</p>	<p>WMKC-V12 Wall Mount Conversion Kit for V12</p>	<p>DM-CBL DigitalMedia™ Cable</p>
			<p>DM-CONN DigitalMedia™ Cable Connector</p>