

CANNON - FLOODLIGHT

The CANNON sits at the top of the OPTILED architecture range and is the perfect replacement of a 250W mercury projector lamp. The CANNON can be deployed on ground, wall and ceiling spots. For further customization and flexibility, this fixture has a wide range of light distribution angles allowing it to accomplish various photometric tasks.



LED FIXTURES

Applications:

1. Commercial lighting
2. Outdoor spot lighting

Features

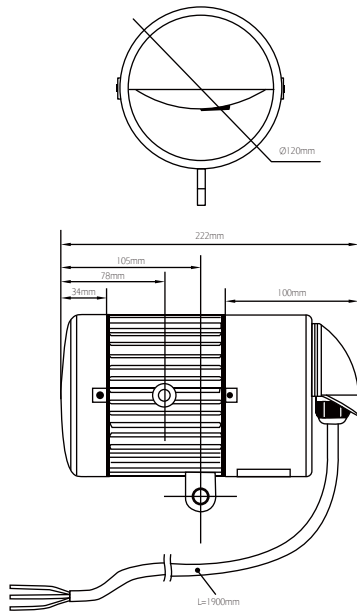
1. High Efficacy
2. Long Life Span
3. Choice Of Beam Angles
4. Weatherproof IP65

Benefits

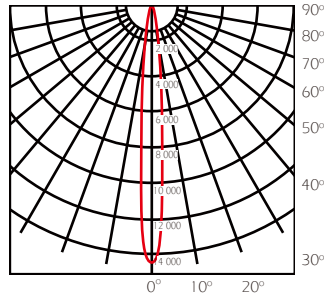
- Cost saving in energy consumption
- Reduce maintenance costs compared with traditional lighting
- Able to provide variance for different lighting tasks
- Suitable for exterior locales

OPTILED

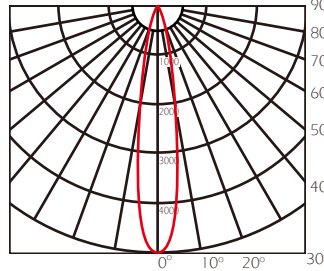
www.optiled.com



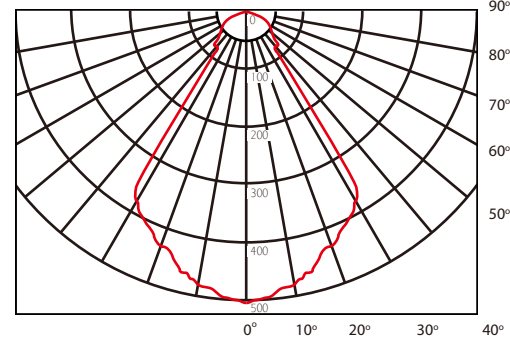
Light Distribution Curve - 10°



Light Distribution Curve - 25°



Light Distribution Curve - 60°



Part No.	Color	Color Temp (β) (K)	Lumen (lm)	Central Intensity (cd)	CRI (Ra)	Beam Angle
40280601AA	<input type="checkbox"/> Daylight	6000	750	14000	80	10°
40280602AA	<input type="checkbox"/> Daylight	2800	750	5000	80	25°
40280603AA	<input type="checkbox"/> Daylight	6000	750	1500	80	40°
40280604AA	<input type="checkbox"/> Daylight	6000	600	500	80	60°

AA indicated approval applicable (and packing detail) : 05 = CE version ; 17 = UL version



- (1) For Indoor and outdoor use.
- (2) Contents and specifications are subject to change without prior notice.
- (3) Color Temp. (Typical).