

CANDLE-VF

With an innovative virtual filament inside the Candle-VF, this lamp can provide the essential sparkling effect of incandescent candle bulbs such as those used in crystal chandeliers. This energy-saving alternative consumes a mere 3W as opposed to the 25W of incandescent bulbs.



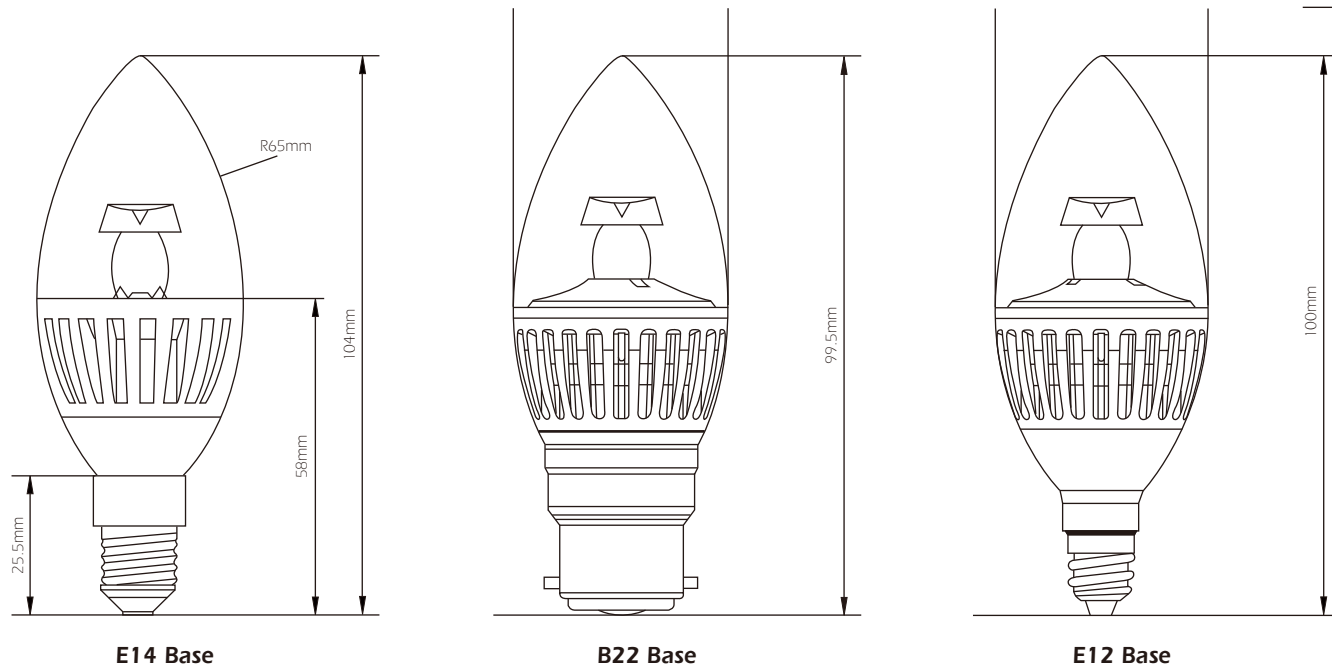
LED LAMPS

Applications:
1. Crystal chandelier
2. Wall light
3. Elevator lighting

Features	Benefits
1. Patented Virtual Filament	Provide the essential sparkling effect on crystal chandeliers
2. Long Life Span	Reduce maintenance costs compared with traditional incandescent bulbs
3. Small Incandescent Base	Suitable for existing fixture
4. Non-breakable Material	Safe & durable lamp cover

OPTILED

www.optiled.com



E14 Base

B22 Base

E12 Base

Part No.	Colour	Colour Temp. ⁽³⁾ (K)	Lumen (lm)	CRI (Ra)
121005BBAA	Warm White	2800	60	80
121007BBAA	Natural White	4000	60	80
121006BBAA	Daylight	6000	84	80

BB indicated lamp base : 04 = E14 ; 05 = E12 ; 06 = B22

AA indicated approval applicable (and packing detail) : 05 = CE version ; 17 = UL version



(1) For indoor use only.

(2) Contents and specifications are subject to change without prior notice.

(3) Colour Temp. (Typical).