



Innovations in natural light control

Lutron has been the world's leading manufacturer of lighting control systems for over 40 years. Now, Lutron has opened up a new world of possibilities by seamlessly integrating electric and natural light control systems with a focus on innovation, world-class engineering, and customer service. We blend technology with design and environmental sensitivity to provide the ideal solution for any specification.

This catalog covers the wide range of shading and drapery products in our Sivoia QED™ (quiet electrionic drive) family. In addition, Lutron also provides both manual and large AC shading systems (see catalog, P/N 367-702).



Convenient, elegant control

Easily adjust shades and draperies, with the touch of a button, to maintain control of natural light for any activity or time of day.



Keypad buttons may be custom engraved.
Typical example shown.



Sivoia QED™	
Quiet Electronic Drive	
Roller Shades	2
Roman Shades	4
Drapery Track	4
Keypads	6
Infrared Remotes	9
Integration with Lighting Controls	10
Fabric Specification	12
SheerShade™ Fabrics	13
Privacy Fabrics	15
Blackout Fabrics	17
Customized Printing	18
Providing Power	19
Roller Shade Installation and Capacity	20
Roller Shade Brackets and Mounting	22
Drapery Track Installation	24
Specification Overview	25

Quality and Performance

The Sivoia QED family of shading and drapery systems

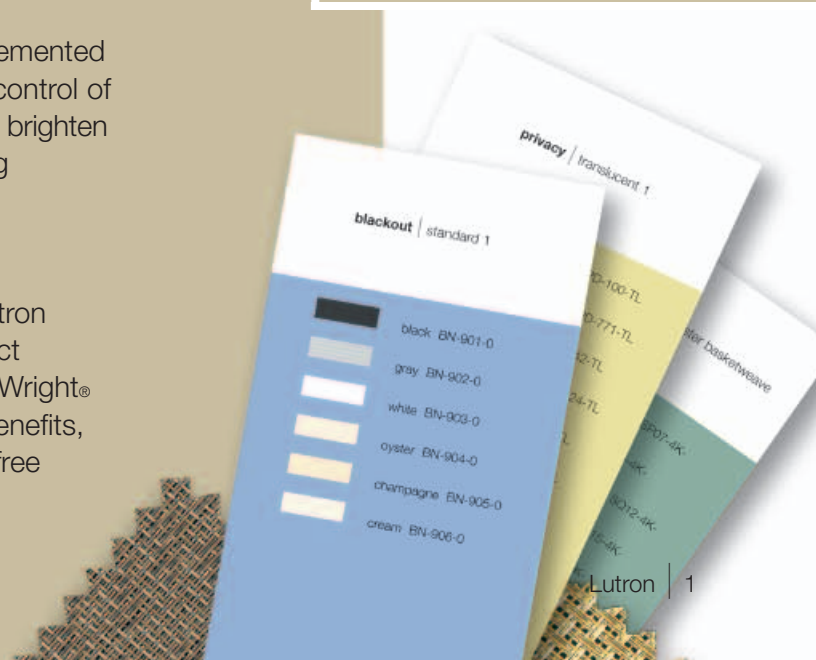
- offer touch-of-a-button convenience
- provide near-silent performance
- operate smoothly and in perfect alignment
- reduce glare and protect furnishings from U/V damage
- are easily installed in new or existing spaces
- are custom manufactured

Integration of Natural and Electric Light

Sivoia QED controllable window treatments are complemented by Lutron’s lighting control systems to offer complete control of all the light in any space. Shades adjust as lights dim or brighten to generate the light levels for any mood or activity using aesthetically consistent controls.

Fabrics and Green Design

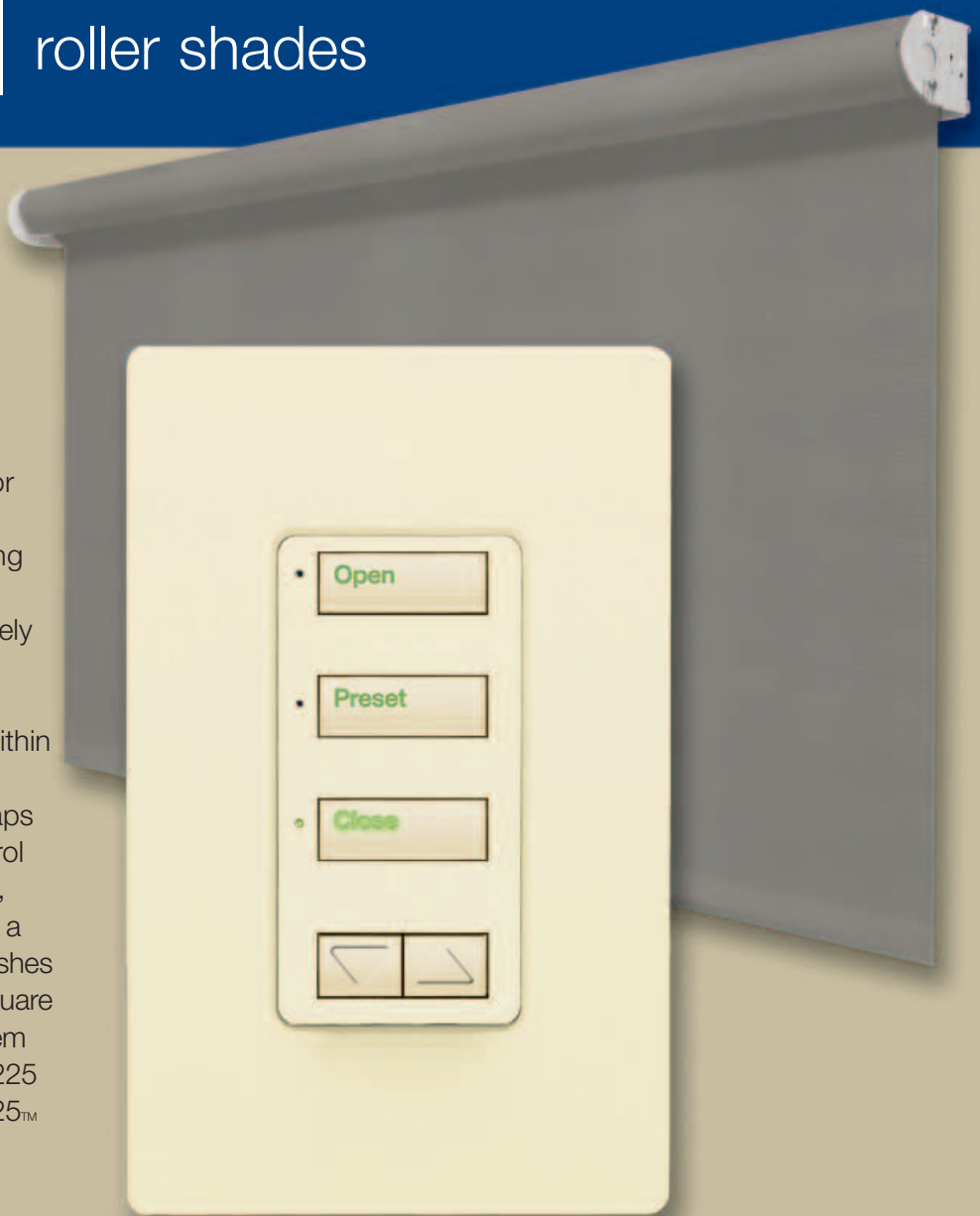
In addition to offering a wide assortment of fabrics, Lutron offers exclusive custom-printed designs, including exact reproductions of leaded-glass artwork by Frank Lloyd Wright® and original Toile patterns. To provide environmental benefits, such as improved air quality, a wide selection of PVC-free fabrics are also available.



Sivoia QED™ | roller shades

Engineered for elegant, precise performance

- electronic drive unit located within roller tube
- near-silent performance (44dbA at three feet)
- built-in intelligence allows for flexible control of groups of shades without special wiring or external controllers
- multiple shades move precisely and evenly to programmable stop points where hembar alignment is maintained to within 1/8" for a clean look
- minimal, symmetrical light gaps (3/4") for optimum light control
- elegant keypads with back-lit, engraved buttons available in a wide variety of colors and finishes
- operate shades up to 100 square feet with the roller 100™ system (see page 20) or shades up to 225 square feet using the roller 225™ system (see page 21)



Keypad options, page 6



To specify Sivoia QED systems, consider the following options and product features.

Roller Shade Drive Systems

- choose between roller 100 and roller 225 systems
- Sivoia QED drives feature Intelligent Hembar Alignment™, which allows Roller 100 and Roller 225 shade systems to move at the same speed and stop in alignment, even though they use different size roller tubes

See page 20

Fabrics

- Lutron offers a variety of fabrics to suit any application requirements and décor
- Lutron offers many PVC-free fabrics, ideal for projects being designed with "green" criteria or seeking LEED™ certification

See page 12

Providing Power

- Individual Sivoia QED shades can be powered using plug-in transformers or groups of shades can be powered by, and communicate with each other via, Lutron power panels (see Sivoia QED Technical Reference Guide, p/n 367-592 or visit www.lutron.com)

See page 19

Control Options

- Sivoia QED can be controlled by elegant seeTouch keypads, hand-held remotes or by Lutron lighting control systems for seamless control of all the light in the space

See page 6

Lineals

- Lutron provides pockets, fascia, side-channels and sill angles to provide blackout conditions when needed
- lineals available in a range of colors

See page 21

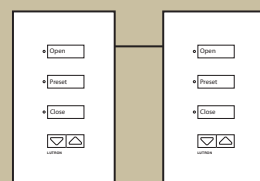


Typical components for a Sivoia QED roller shade system (not shown to scale)

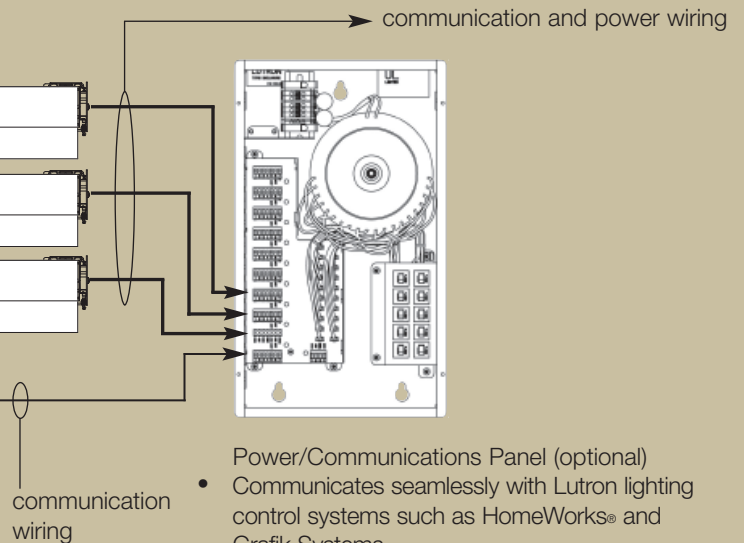
Roller shades containing electronic drive units (up to 64 per link)



Infrared remote (optional)



Keypads (up to 32 per link)



Power/Communications Panel (optional)

- Communicates seamlessly with Lutron lighting control systems such as HomeWorks® and Grafik Systems
- Each panel provides power for up to 10 Sivoia QED electronic drive units (EDUs)
- Sivoia QED shades may also be powered by individual transformers

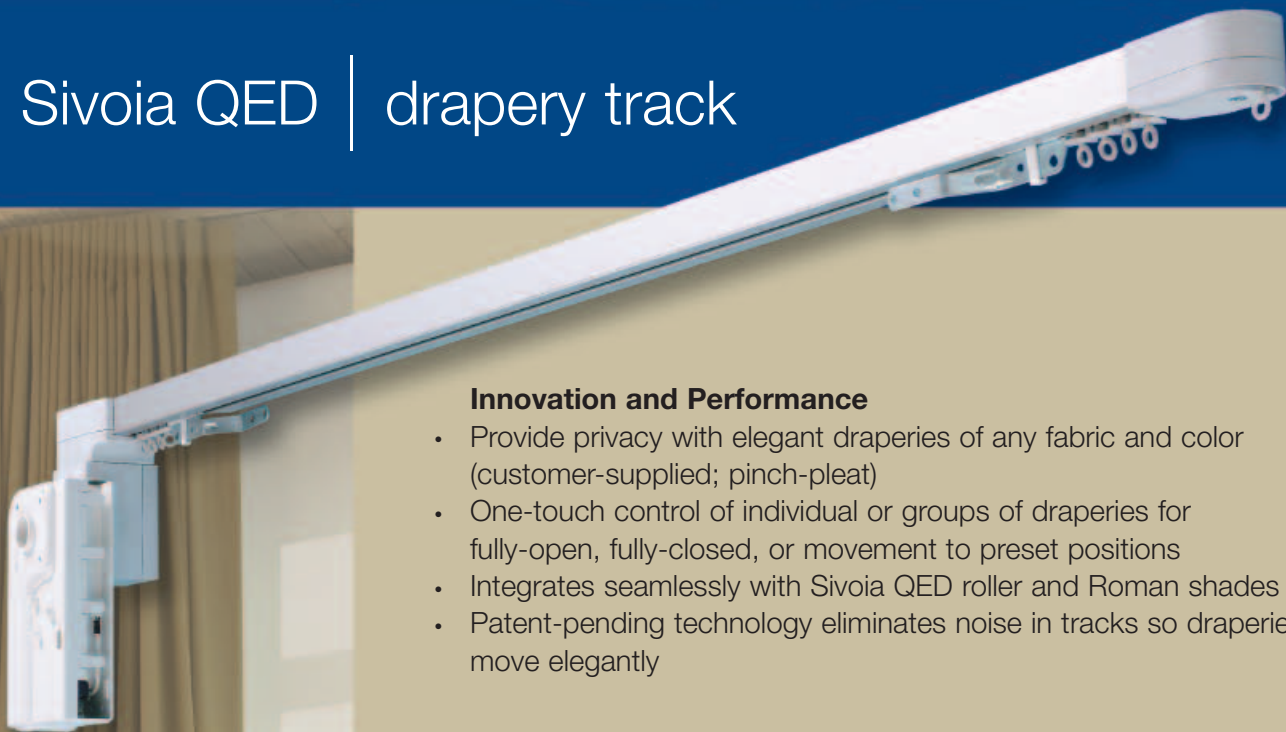
Note: CCI (Contact Closure Input) panels are available to connect to outside systems such as BMS (Building Management Systems) or touchscreen systems.

Sivoia QED™ | Roman shades

Sivoia QED Roman shades feature a softer, folded look and can be created using most of Lutron's standard fabrics into a flat-fold or soft-fold configuration. Lutron can also automate a customer-supplied Roman shade, as pictured here (consult customer service for details).

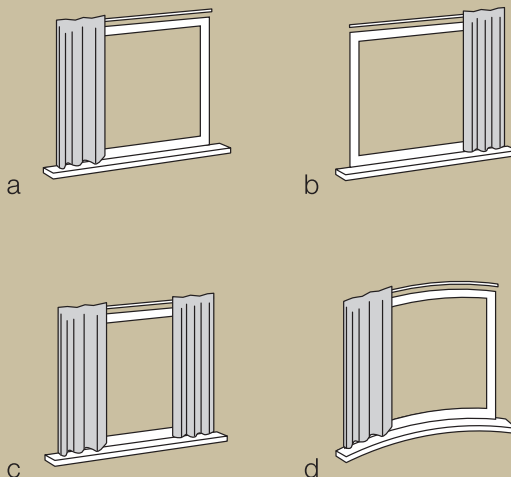


Sivoia QED | drapery track



Innovation and Performance

- Provide privacy with elegant draperies of any fabric and color (customer-supplied; pinch-pleat)
- One-touch control of individual or groups of draperies for fully-open, fully-closed, or movement to preset positions
- Integrates seamlessly with Sivoia QED roller and Roman shades
- Patent-pending technology eliminates noise in tracks so draperies move elegantly



Electronic Drive Unit configuration options

- a - Left-draw left-mounted EDU
- b - Right-draw right-mounted EDU
- c - Split-draw left- or right-mounted EDU
- d - Curved-draw left- or right-mounted EDU

Straight Track Capacity | drapery size

Use this chart to determine the maximum fabric size the Sivoia QED™ drapery system can operate, based upon height and weight.

	Typical Sheer Drapery	Typical Blackout Drapery with Lining		Heavy Speciality Fabrics
Height	4 oz. per sq. yd. total fabric weight	12 oz. per sq. yd. total fabric weight	16 oz. per sq. yd. total fabric weight	24 oz. per sq. yd. total fabric weight
72" (1.83m)	Up to 18' (5.49m) w	Up to 18' (5.49m) w	Up to 15' (4.57m) w	Up to 12' (3.66m) w
96" (2.44m)	Up to 18' (5.49m) w	Up to 18' (5.49m) w	Up to 15' (4.57m) w	Up to 7' (2.13m) w
144" (3.66m)	Up to 18' (5.49m) w	Up to 14' (4.27m) w	Up to 9' (2.74m) w	N/A

Straight Track Capacity | drapery weight

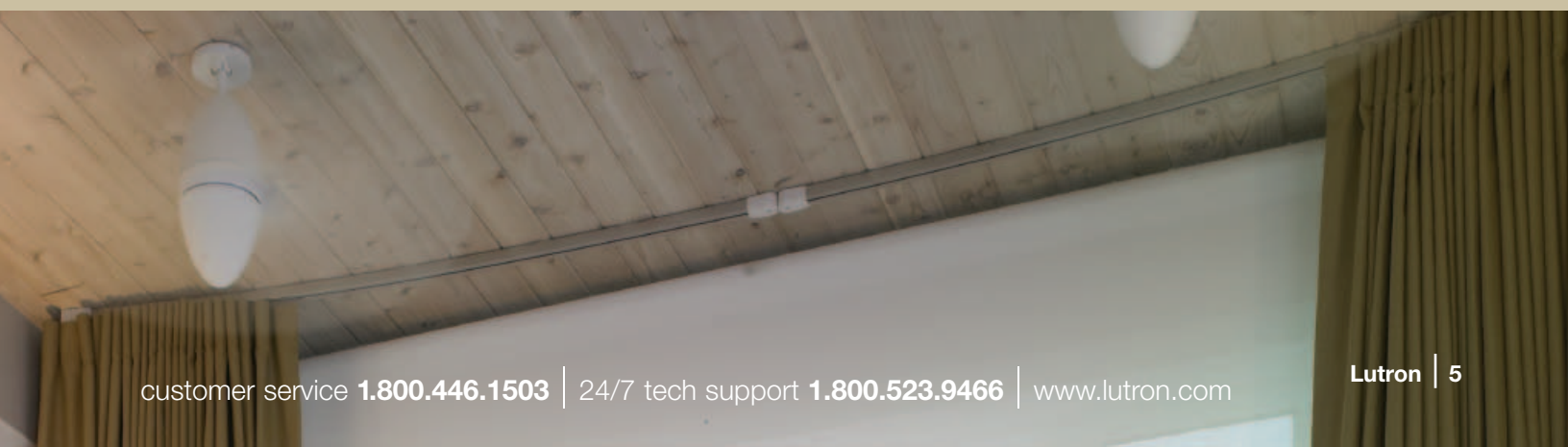
Use this chart to determine the maximum fabric weight the Sivoia QED drapery system can operate, based upon system width.

Width	3'	4'	5'	6'	7'	8'	9'	10'	11'	12'	13'	14'	15'	16'	17'	18'
Weight (lbs)	80	80	80	80	80	80	80	70	70	70	70	60	60	60	60	60

Sivoia QED Curved Drapery Track

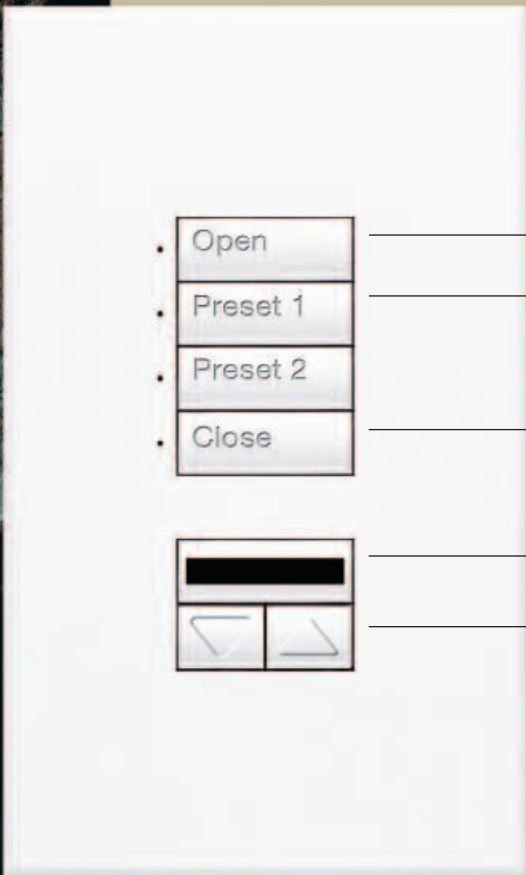
Lutron has expanded the capability of the ultra-quiet Sivoia QED drapery system to apply to curved applications. The system provides smooth movement, all preset capabilities, and robust performance.

- Curved tracks are available in a number of standard arcs as well as custom specifications
- Split-draw and single-draw versions are available
- Up to 90° curves are possible, please contact customer service with specific applications



seeTouch™

Lutron's exclusive seeTouch™ keypad design offers backlit, ergonomic buttons with customizable engraving. The keypads are available in a wide variety of button configurations to achieve any desired functionality, and to seamlessly integrate with Lutron lighting control systems.



Open - Fully open a shade or drapery

Presets - Adjust a shade or drapery to exact mid-point positions you determine

Close - Fully close a shade or drapery

Infrared - Infrared receiver, not an active button

Raise/Lower - Adjust shades by pressing and holding either button

SVQ-4WRL-IR-WH keypad shown*

Backlighting Options

seeTouch keypads are configured in one of two ways, based upon the keypad color selected (see page 8).



entire button backlight



text only backlight

* For a full review of keypad models and button configurations, please consult the Sivoia QED Technical Reference Guide, P/N 367-592 or visit www.lutron.com.

Keypads | aesthetic style

seeTouch™ keypads for Sivoia QED come in two styles: Designer and Architectural.

Designer (below, left)

This keypad has rounded corners and is available in designer gloss and Satin Colors™ finishes.

Architectural (below, right)

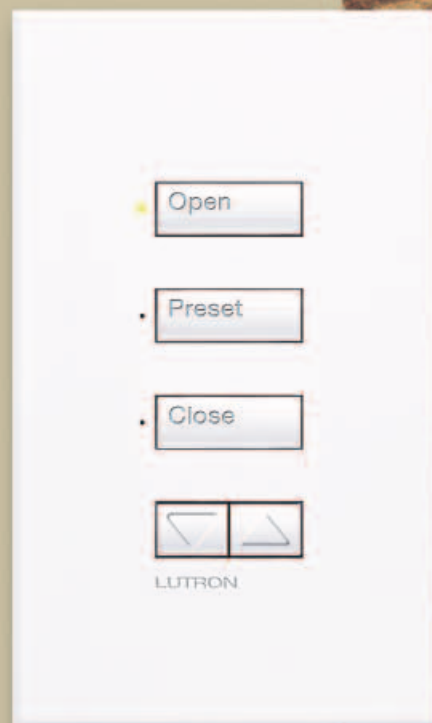
This keypad style features beveled edges and squared-off corners. Choose between a non-insert or insert look. Architectural keypads are available in matte and metal finishes.

Another exclusive design feature of the entire seeTouch family is the wallplate with no visible screws for a clean, finished look.

See page 8 for full color and finish offering.



Designer Style



Architectural Style
(also available with insert)



Keypad Colors, Finishes, and Accessories

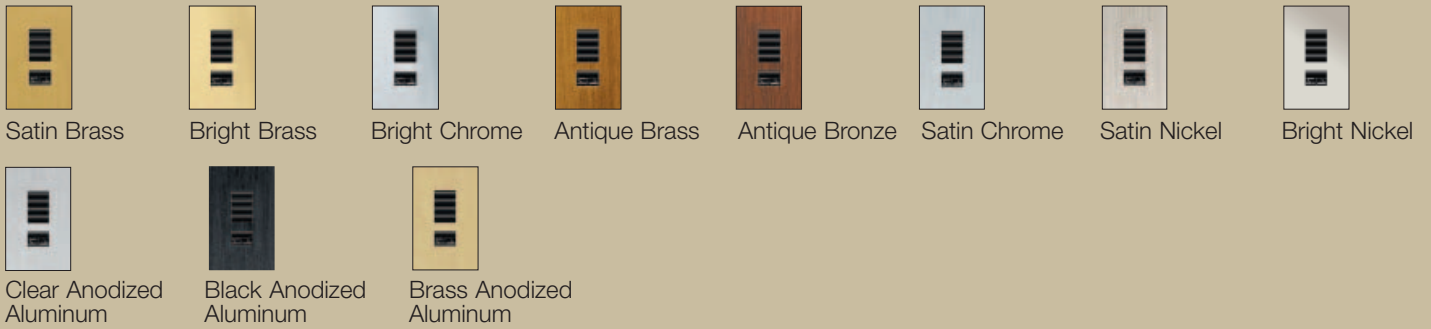
Note: Color samples shown are representations only. See product samples for exact finishes.

Colors

Matte finishes with backlit buttons for architectural-style keypads



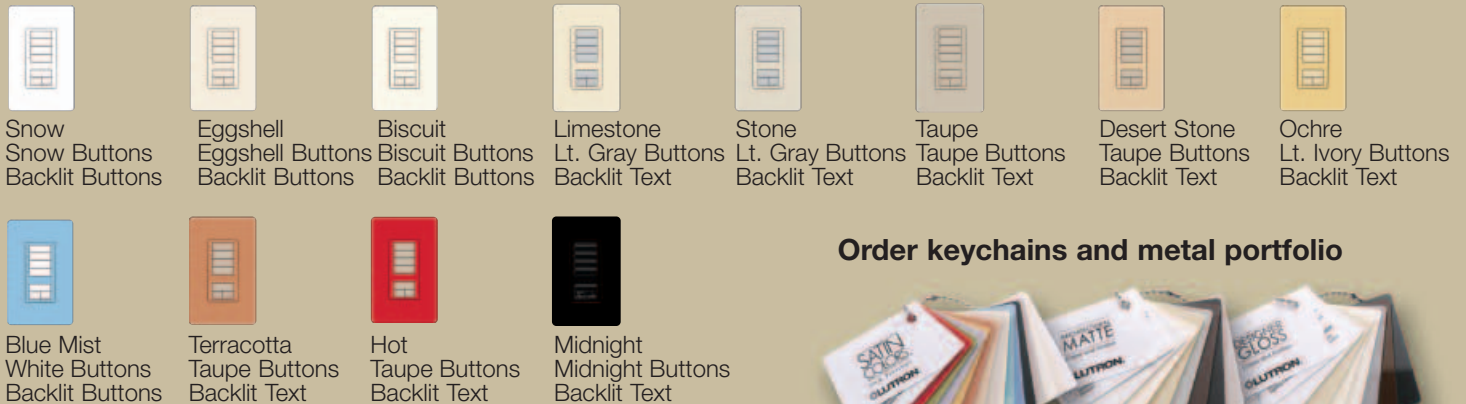
Metal finishes with black buttons and backlit text for architectural-style keypads



Gloss finishes for designer-style keypads



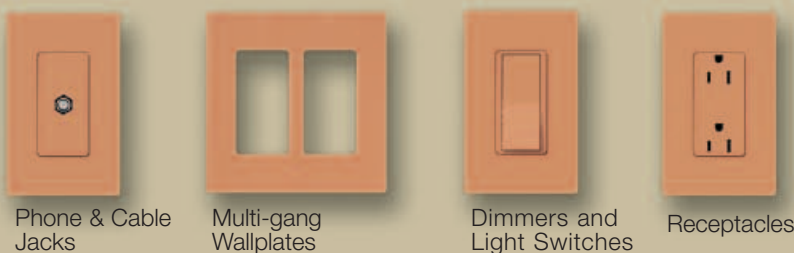
Satin Colors™ matte finishes for designer-style keypads



Order keychains and metal portfolio



Matching accessories in all colors and finishes



Hand-held Infrared Remotes

Convenience

Choose from a variety of hand-held remotes to control Sivoia QED™ systems. To enable the system to receive the infrared signal, select a keypad with integrated IR (see pg. 6) or specify an Infrared Receiving Eye (SV-IR), which can be discreetly installed near the Sivoia QED drive unit.



SVQ-OCIT-WH

Open/Close Hand-held Infrared Remote

- This remote offers open/close and fine-tune raise/lower control
- Can control one shade or a group of shades together



SVQ-4GD-OCIT-WH

Multi-function Hand-held Infrared Remote

- Designed specifically to control both individual and groups of shades
- Ideal for dual-mount shades (to control two shades on the same window)



SVQ-3PIT-WH

Three Preset Hand-held Infrared Remote

- Offers open/close, three programmable presets and fine-tune raise/lower control
- Can control one shade or a group of shades together

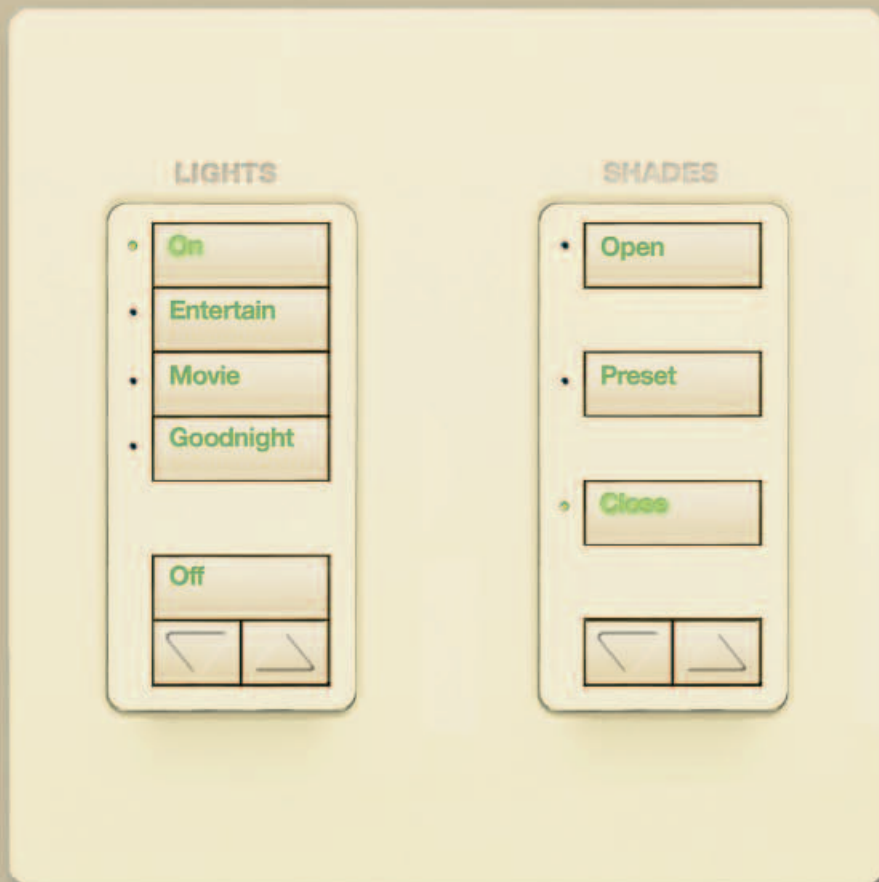


SVQ-4S2G-IT-WH

Multi-function Lights and Window Treatment Hand-held Infrared Remote

- Control both window treatments and lighting groups
- Ideal for home theater and conference room applications

Note: All infrared remotes available in white only.



Designer-style keypad shown

Convenience and Elegance

Seamlessly integrate shades and draperies with Lutron lighting control systems throughout the home. Control all the light using aesthetically consistent controls available in a wide variety of colors and finishes (see page 8).

Entire Room

Lutron's GRAFIK Eye® lighting control system offers scene-based control of the light in any area of the home. One button can adjust lighting and shades with subtle or dramatic transitions.

- Home Theater
- Bedroom
- Living Room

Whole Home

Expand one-touch control to the entire home with Lutron's HomeWorks® and RadioRA® lighting control systems. Integrate with AV, security and other home systems. Simplify daily routines, and enhance security, all at the touch of a button.

- Any size home
- New construction or retrofit
- Remote access via phone or modem



Architectural-style keypad shown

Aesthetic Integration

Make a space as productive as possible with one-touch control of both electric and natural light. Keep presentations moving smoothly and maximize HVAC efficiency throughout an entire building with automated adjustment of shades and lighting.

Entire Room

Bring integrated control of lighting, shading systems, and projection screens to presentation spaces and classrooms. Lutron's RadioTouch® control system is simple to use and can be easily retrofitted into any space.

- Conference Room
- A/V Presentation Space
- Classroom

Whole Building

Control lighting and shading in any space or throughout the entire building with Lutron's GRAFIK systems. Lighting for restaurants, hospitality spaces, and corporate areas can be easily controlled and adjusted.

- Reduce glare and eye fatigue
- Maximize HVAC efficiency
- Increase productivity

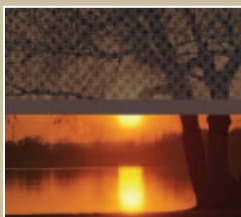
How to Specify a Fabric

1. Determine the Need

Application	Function	Fabric Type	
<ul style="list-style-type: none"> Living Room Family Room Conference Room Lobby 	Filter sunlight and control UV while maximizing view	SheerShade™ >1% openness factor pg.13 - 14	
<p>The openness factor measures the density of a fabric's weave. The higher the openness factor, the more light and solar energy a fabric will transmit.</p> <p>Below are typical openness factors used in light-filtering SheerShade fabrics.</p> <div style="display: flex; justify-content: space-around; align-items: center;"> <div style="text-align: center;"> <p>West 5%, 3%</p> </div> <div style="text-align: center;">  </div> <div style="text-align: center;"> <p>North 10%</p> </div> </div> <div style="display: flex; justify-content: space-around; align-items: center; margin-top: 10px;"> <div style="text-align: center;"> <p>South 5%, 3%</p> </div> <div style="text-align: center;"> <p>East 10%, 5%</p> </div> </div>			
<ul style="list-style-type: none"> Bedroom Bathroom Private Office 	Achieve some translucence with no view in from the outside	Privacy <1% openness factor pg.15	
<ul style="list-style-type: none"> Home Theater A/V Presentation Area 	Gain total darkness with no view of the outside	Blackout 0% openness factor pg.16	

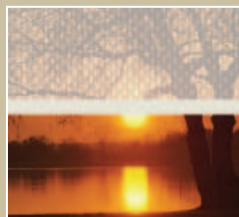
2. Select the Color and Performance

Optimize View



Darker SheerShade fabrics afford a better view out when exposed to direct sunlight.

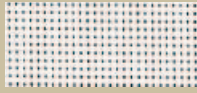
Energy Efficiency



Lighter SheerShade fabrics reflect the most visible light and U/V to keep interior temperatures down. Many fabrics have a white backing, or a lighter side, providing this reflective benefit, plus darker choices for interior colors.

SheerShade | fiberglass basketweave 1

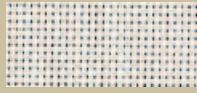
(note: 5% openness shown)



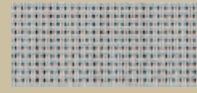
Blanc/Blanc
SXL-WW-



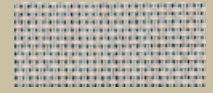
Blanc/Pearl
SXL-WP-



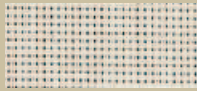
Blanc/Linen
SXL-WL-



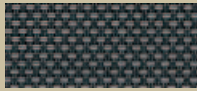
Pearl/Pearl
SXL-PP-



Pearl/Linen
SXL-PL-



Linen/Linen
SXL-LL-



Charcoal/Gray
SXL-CG-



Charcoal/Bronze
SXL-CB-



Charcoal/Charcoal
SXL-CC-

Approx. Openness Factor:	5%	10%
Approx. UV Blockage:	95%	90%
Fabric Roll Width:	98"	98"
Composition:	36% glass yarn, 64% PVC	

SheerShade | fiberglass basketweave 2

(note: 5% openness shown)



Oyster
SP12-90-



Oyster/Beige
SP13-90-



Oyster/Pearl Gray
SP14-90-



Beige
SQ20-90-



Beige/Pearl Gray
SQ21-90-



Pearl/Gray
SV20-90-



Charcoal
SV21-90-



Charcoal/Gray
SV22-90-

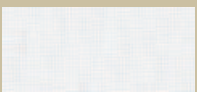


Charcoal/Chestnut
SV24-90-

Approx. Openness Factor:	3%	5%	10%
Approx. UV Blockage:	97%	95%	90%
Fabric Roll Width:	98"		
Composition:	35% fiberglass, 65% vinyl on polyester		

SheerShade | dual-sided fiberglass

(note: 5% openness shown)



White
SXL2-WW-



White/Linen
SXL2-WL-



White/Pearl
SXL2-WP-



White/Gray
SXL2-WG-



White/Charcoal
SXL2-WC-



White/Bronze
SXL2-WB-

Approx. Open. Factor:	3%	5%	10%
Approx. UV Blockage:	97%	95%	90%
Fabric Roll Width:	98" (cannot be railroaded)		
Composition:	36% fiberglass, 64% PVC		

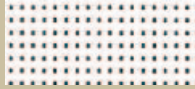
SheerShade™ Fabrics

SheerShade | polyester basketweave

(note: 5% openness shown)



Alabaster
SP07-4K-



Chalk
SP06-4K-



Pebblestone
SQ12-4K-



Graystone
SQ15-4K-



Granite
SP10-4K-



Pewter
SV07-4K-



Ash
SV15-4K-



Ebony
SV10-4K-



Tobacco
SQ16-4K-

Approx. Openness Factor:	3%	5%	10%
Approx. UV Blockage:	97%	95%	90%
Fabric Roll Width:	98"		
Composition:	25% polyester, 75% vinyl on polyester		

SheerShade Designer™ | polyester jacquard

NEW



Marble/Sand
SD43-5K-5



Bark/Aspen
SD44-5K-7



Moire/Leather
SD45-5K-7



Bamboo/Wheat
SD46-5K-7



Moire/Mocha
SD47-5K-7



Bark/Cedar
SD48-5K-10



Rattan/Umber
SD49-5K-7



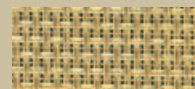
Bark/Tiger Oak
SD50-5K-5



Wicker/Mushroom
SD51-5K-5



Marble/Slate
SD52-5K-7



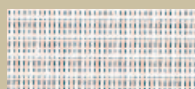
Honeycomb/
Brown Sugar
SD53-5K-10



Marble/Quartz
SD57-5K-7



Moire/Seashell
SD58-5K-5



Bamboo/Whitewash
SD59-5K-10



Bamboo/Birch
SD60-5K-10



Honeycomb/Vanilla
SD61-5K-10

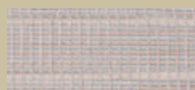
Approx. Openness Factor:	5% - 10% (varies by color)
Approx. UV Blockage:	90% - 95% (varies by color)
Fabric Roll Width:	74" (cannot be railroaded)
Composition:	polyester with vinyl (% varies by color, some colors include acrylic. See www.lutron.com)

SheerShade Designer™ | trevira CS

NEW



Bone
SD-7101-



Pewter
SD-7102-



Gray
SD-7103-



Wheat
SD-7104-

Approx Openness Factor:	see www.lutron.com
Fabric Roll Width:	82" (cannot be railroaded)
Composition:	100% polyester PLF

pvc-free

Privacy Fabrics

Color samples shown are representations only. For detailed test information, solar performance, or to request fabric samples, please call 1.800.446.1503 or visit www.lutron.com. All fabrics meet NFPA standards for flame retardance.

Privacy | translucent 1 - <1% Openness Factor



Blanc
PD-100-TL



Orange
PD-771-TL



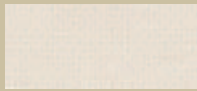
Bleu
PD-9524-TL



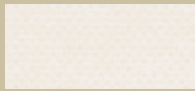
Gray 642
PD-642-TL



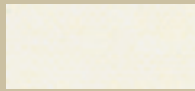
Gray 741
PD-741-TL



Beige 511
PD-511-TL



Beige 718
PD-718-TL



Beige 311
PD-311-TL



Vert
PD-107-TL

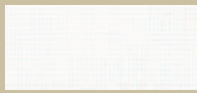
Openness Factor: <1%

Approx. UV Blockage: 99%

Fabric Roll Width: 72" (cannot be railroaded)

Composition: fiberglass coated with acrylic pvc-free

Privacy | translucent 2 - 1% Openness Factor



White
P7-200-1



Cream
P7-311-1



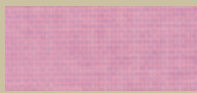
Light Brown
P7-9410-1



Beige 718
P7-718-1



Beige 816
P7-816-1



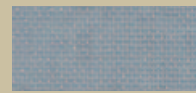
Dusty Rose
P7-264-1



Dark Blue
P7-721-1



Pale Aqua
P7-107-1



Gray 9441
P7-9441-1



Gray 9744
P7-9744-1

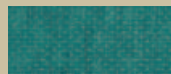
Approx. Openness Factor: 1%

Approx. UV Blockage: 99%

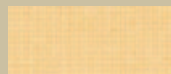
Fabric Roll Width: 71"

Composition: glass yarn pvc- and halogen-free

Additional colors for **Privacy Translucent 2** group shown below. Contact customer service for lead times on these colors.



Forest Green



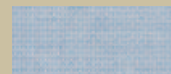
Light Orange



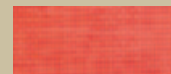
Gray 642



Peach



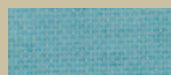
Gray 9440



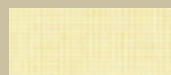
Sienna



Dark Teal



Dusty Teal



Pale Yellow



Pale Green



Gray 945



Light Aqua

Privacy Fabrics

Privacy | translucent 3 - <1% Openness Factor



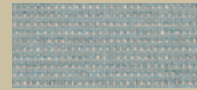
Blanc
P600-TL



Sahel
P623-TL



Mississippi
P618-TL



Chartreux
P608-TL

Openness Factor: <1%

Approx. UV Blockage: 99%

Fabric Roll Width: 78"

Composition: 72% fiberglass, 28% acrylic flocked backing

pvc-free

Privacy | basketweave - 1% Openness Factor



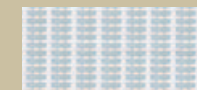
Alabaster
PP07-48-1



Slate
PV12-48-1



Gray
PV16-48-1



Stone
PV13-48-1

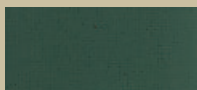
Approx. Openness Factor: 1%

Approx. UV Blockage: 99%

Fabric Roll Width: 96"

Composition: 24% polyester, 76% vinyl on polyester

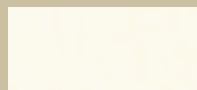
Privacy | room darkening - <1% Openness Factor



Green
PN801-RD



Black
PN802-RD



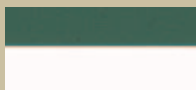
Natural
PN803-RD



Ecru
PN804-RD



Gray
PN805-RD



Green/White (dual-sided)
PN801-6-RD

Openness Factor: <1%

Approx. UV Blockage: 99%

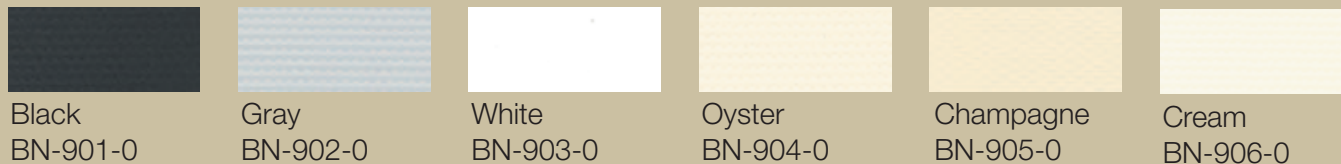
Fabric Roll Width: 72" (cannot be railroaded)

Composition: 100% cotton coated with fire retardant

Blackout Fabrics

Color samples shown are representations only. For detailed test information, solar performance, or to request fabric samples, please call 1.800.446.1503 or visit www.lutron.com. All fabrics meet NFPA standards for flame retardance.

Blackout | standard 1 - 0% Openness Factor



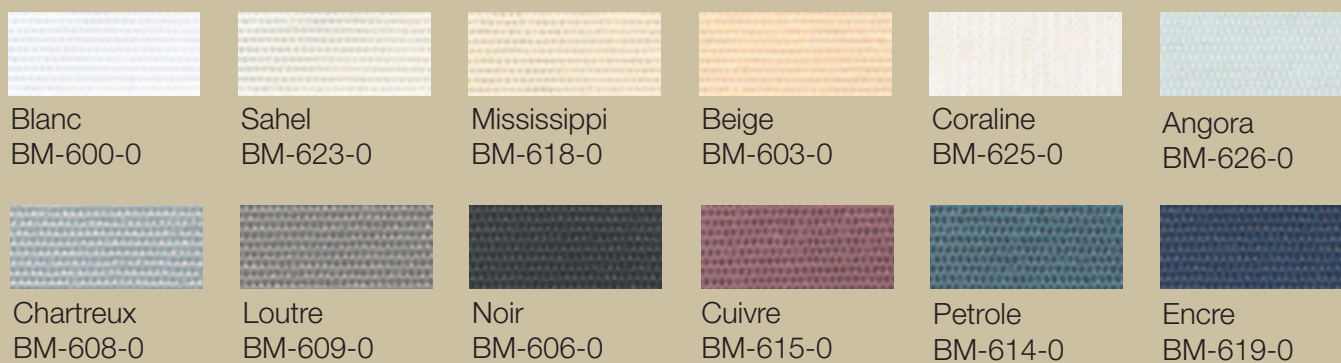
Openness Factor: 0%
 UV Blockage: 100%
 Fabric Roll Width: 72"
 Composition: fiberglass

Blackout | standard 2 - 0% Openness Factor



Openness Factor: 0%
 UV Blockage: 100%
 Fabric Roll Width: 82"
 Composition: 100% glass yarn with fireproof acrylic pvc-free

Blackout | premiere - 0% Openness Factor



Openness Factor: 0%
 UV Blockage: 100%
 Fabric Roll Width: 78"
 Composition: 42% fiberglass, 58% with acrylic flocked backing pvc-free

Customized Printing | exclusive designs

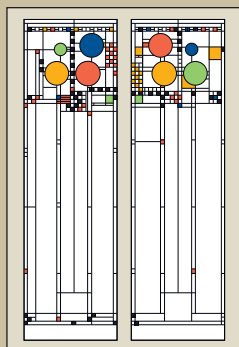


Choose from an assortment of exclusive designs to be printed on white roller shade fabrics. Each design is custom-scaled to your shade. In addition, you may provide your own designs or images.

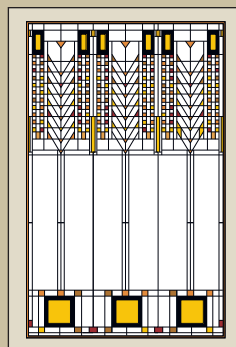


Frank Lloyd Wright®

Exclusive reproductions on fabric of Wright's leaded glass designs from The Coonley Playhouse, Riverside Illinois, 1912 and the Darwin D. Martin House, Buffalo, New York, 1903-05. Custom-scaled for each installation. Specify custom border color to complement decor.



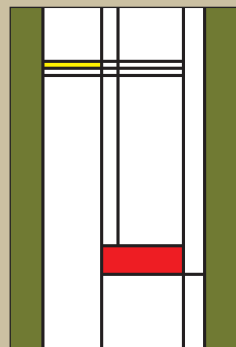
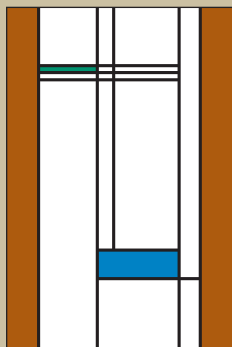
SV-FLW-BLN-1



SV-FLW-TOL-1

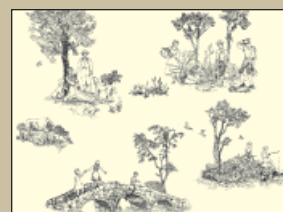
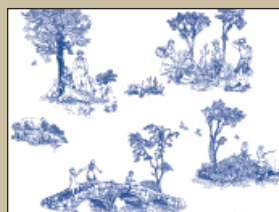
Abstract Expressionist

Patterns based on the "new plastic art" – primary colors, straight lines, elemental shapes, and abstract forms.



Toile

Originally a pattern scheme developed in Ireland, Toile patterns have adorned the halls of French kings and continue to be a popular and vital decor element in contemporary design. Lutron offers this original Toile pattern with proprietary artwork for roller shades. Background and image colors are fully customizable. Partial designs shown.



Providing Power | panels and transformers

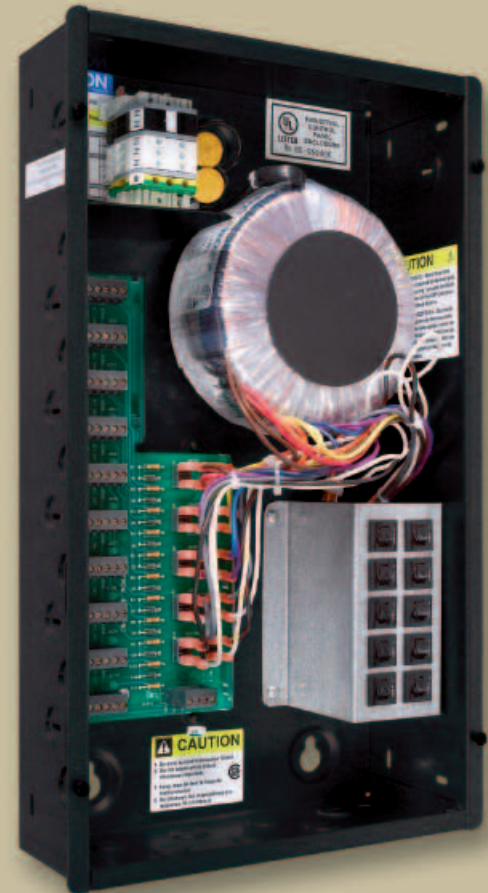
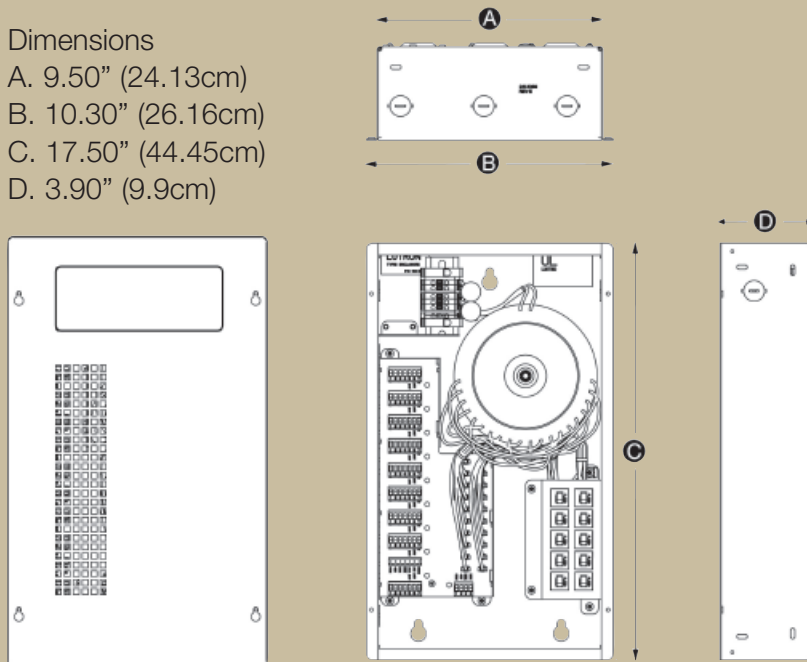
Sivoia QED™ power panel

SVQ-10-PNL

Provides power and communication wiring for up to 10 Sivoia QED drives. Utilizes a custom seven-conductor combination communication/power cable (SVQ-CBL-250) or specify separate power and communication wiring. See the Sivoia QED technical reference guide (p/n 367-592) or visit www.lutron.com for more information.

Dimensions

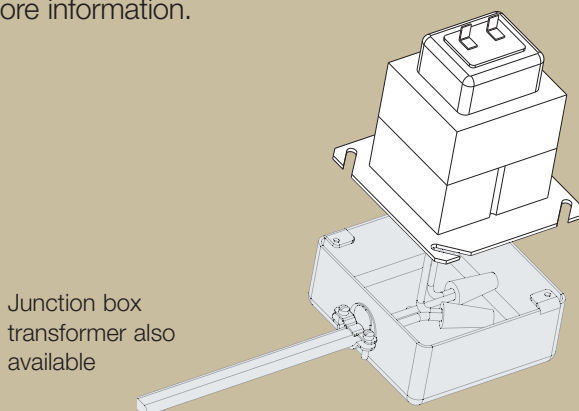
- A. 9.50" (24.13cm)
- B. 10.30" (26.16cm)
- C. 17.50" (44.45cm)
- D. 3.90" (9.9cm)



SVQ-10-PNL
Sivoia QED power panel
with cover removed

Transformers

For smaller projects, or to more easily accommodate retrofit applications, choose from a selection of plug-in and junction-box transformers to power individual Sivoia QED drives. See the Sivoia QED technical reference guide (p/n 367-592) or visit www.lutron.com for more information.



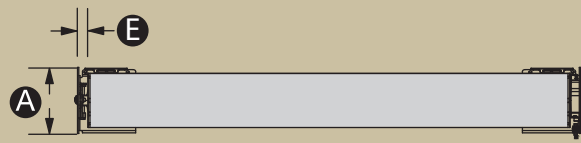
SV-50SF-P1
Sivoia QED
plug-in transformer

Roller Shade | installation and capacity

System Dimensions | roller 100™

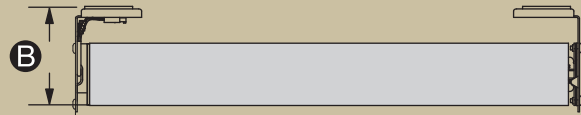
The Sivoia QED system requires minimal space and installs in one of three variations: inside jamb mount, outside wall mount, or ceiling mount. It can also be mounted inside an aluminum pocket for recessed applications.

The Roller 100 system utilizes a 2.5" roller tube to operate up to 100 square feet of fabric.

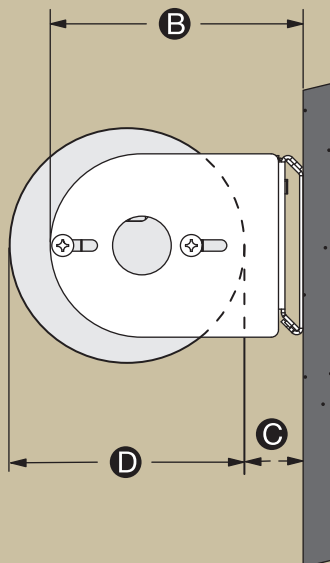


Front view

Symmetrical light gaps 0.625" (15.8mm) minimum, 0.75" (19.1cm) typical



Top view



Side view

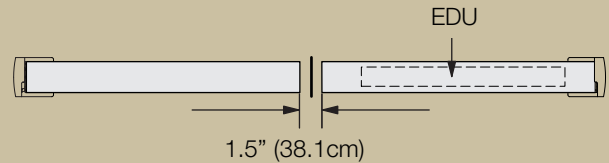
Dimensions

- A. 4.00" (10.6cm)
- B. 4.30" (10.92cm)
- C. 1.00" (2.54cm)
- D. 5.00" (12.70cm)
- E. 0.625" (15.8 mm) minimum, 0.75" (19.1 cm) typical

NEW

Coupled Roller System | roller 100

Up to three Sivoia QED shade panels can be coupled, meaning they all are powered by a single electronic drive unit (EDU).

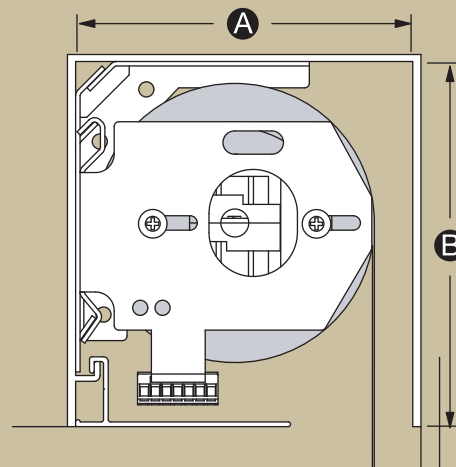


A coupled system:

- offers 1.50" minimum light gap between panels
- can be assembled with any bracket configuration (see page 22)
- offers phase adjustment, which allows the hembars to be aligned after installation, without having to remove the system from the wall
- allows precise hembar alignment (within 1/8")

Pocket Installation

Pockets and fasciae are available for Sivoia QED roller 100 shades.

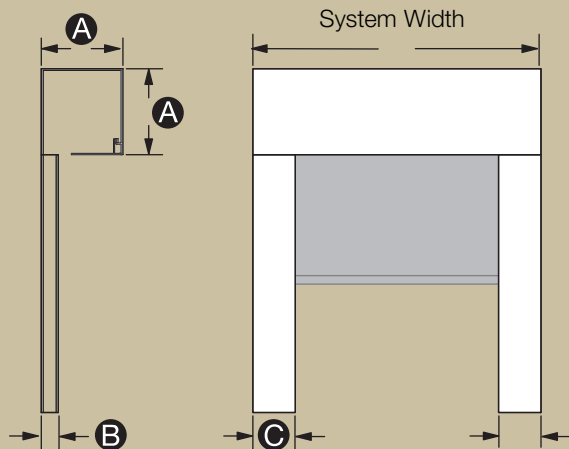


Dimensions

- A. 4.75" (12.06cm)
- B. 5.00" (12.7cm)

Blackout Configuration | roller 100™

Lutron offers side channels in a width of 2.50" to facilitate blackout conditions.



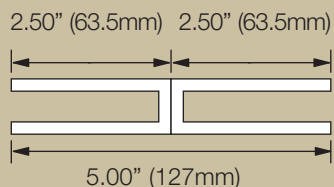
Side view

Front view

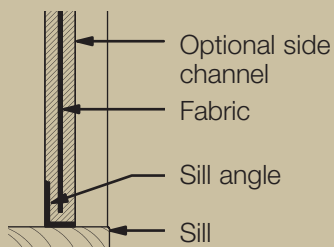
Dimensions

- A. 5.00" (12.7cm)
- B. 1.00" (2.54cm)
- C. 2.50" (6.35cm)

Pocket dimensions shown including side channels.



Install side channels back-to-back at wide center mullions.



The sill angle completes the blackout by stopping light leaks below the shade.

Hardware Color Options



White

Anodized Aluminum

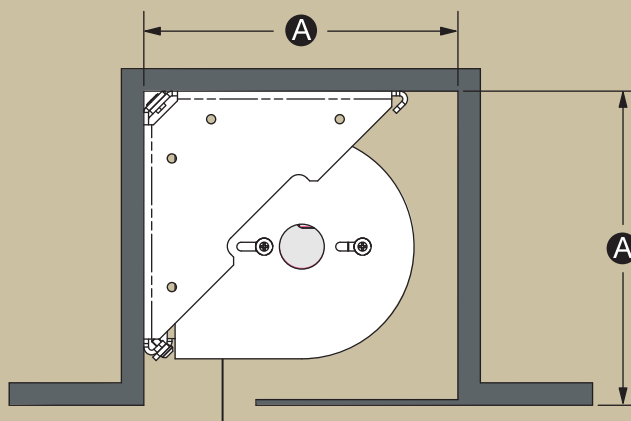
Bronze

Custom paint colors available. Contact Customer Service for additional color options.

NEW

Larger Shades | roller 225™

Sivoia QED drives can now operate larger shades, up to 225 square feet. Variables such as fabric weight and shade dimensions can affect the size of the shade that can be manufactured.

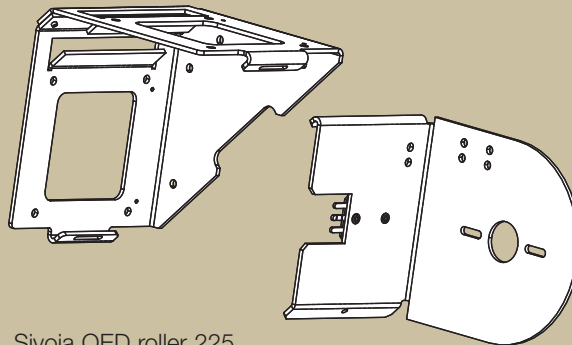


Dimensions

- A. 7.00" (17.78cm)

The roller 225 system:

- utilizes a 3.75" tube
- employs unique brackets designed for larger systems. Roller 100 brackets are not compatible with this system.



Sivoia QED roller 225 bracket assembly

Roller Shade | brackets and mounting

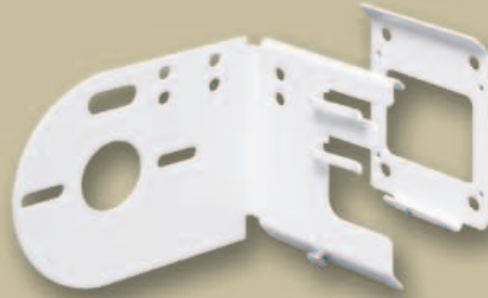
Bracket Design Benefits | roller 100™

Sivoia QED brackets employ a two-piece design to maximize ease and flexibility of installation.

Proprietary bracket designs for various applications include:

- wall mount (outside the window frame)
- jamb mount (inside the window frame)
- ceiling mount (inside the window frame or in a pocket)

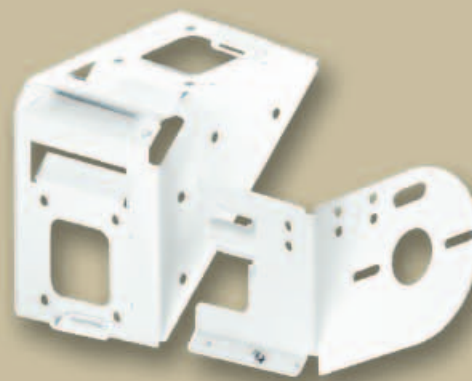
Wall Mount | roller 100



Ceiling Mount | roller 100



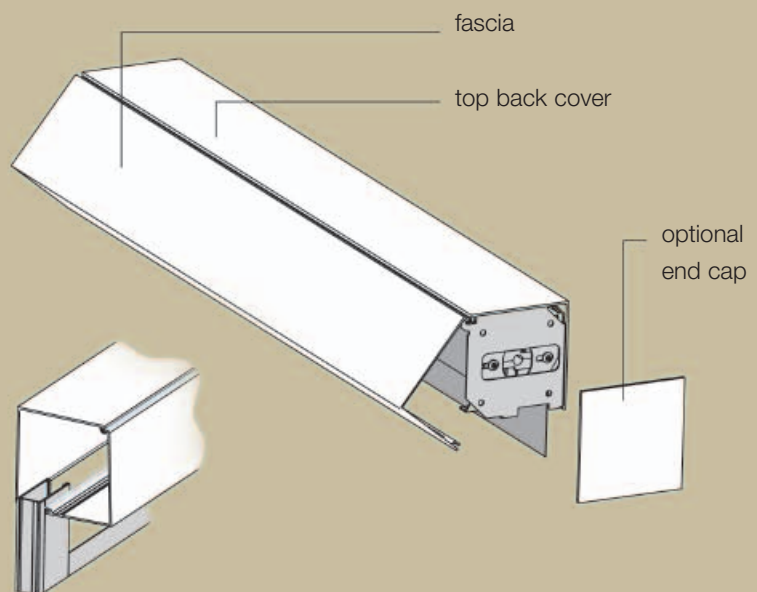
Jamb Mount | roller 100



Fascias and Top Back Covers

Sivoia QED roller shades can be installed within fasciae and top back covers. This two-piece enclosure both conceals the product and affords accessibility for adjustment and maintenance.

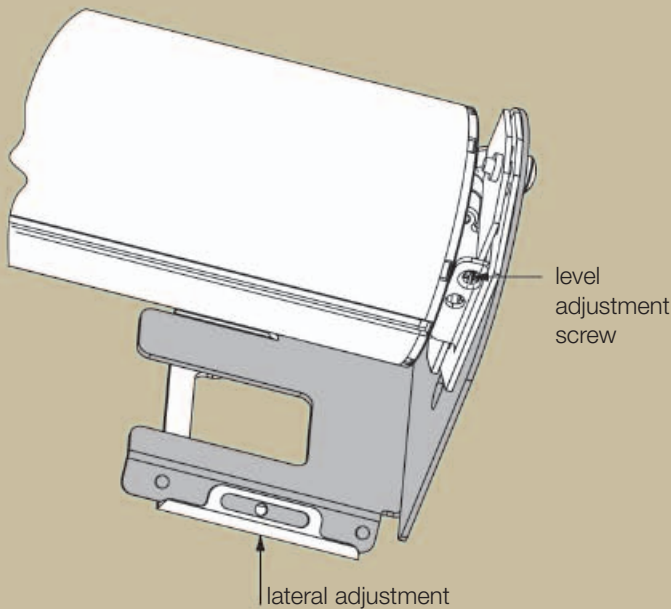
Add side channels and sill angles to achieve blackout conditions with opaque fabrics.



Fascia and top/back cover with side channel.

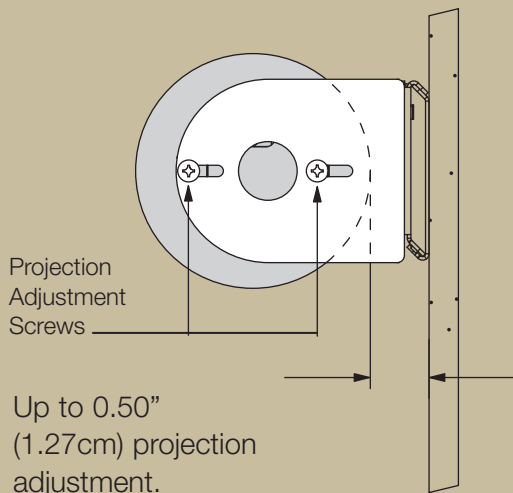
Shade Centering and Leveling

A benefit of the two-piece bracket design is the ability to laterally adjust the roller shade after installation to ensure a centered mounting. Roller shade can also be leveled easily without re-mounting the bracket.



Projection Adjustment

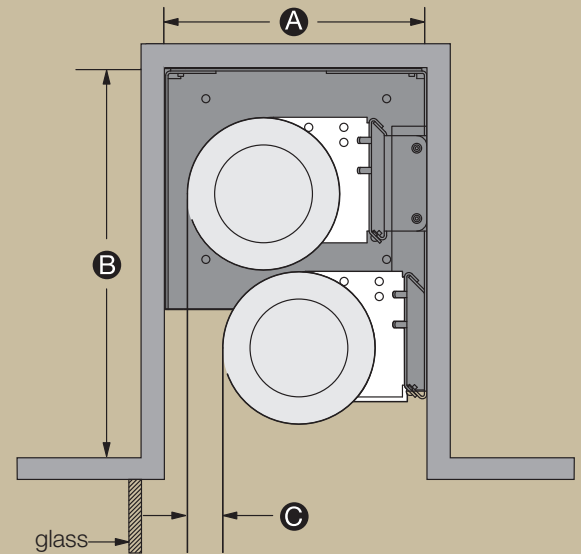
The Sivoia QED bracket allows for projection adjustment of the roller tube during and after installation.



NEW

Dual-Mount Bracket | roller 100

A common roller shade application is the use of two fabrics on one window, typically a sheer and a blackout. Fabric unrolls closest to glass.

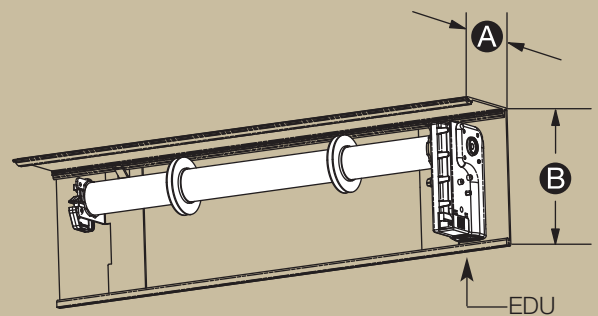


Dimensions

- A. 7" (17.78cm)
- B. 11.00" (27.94cm)
- C. 1.00" (2.54cm)

Roman Shade Installation

Sivoia QED Roman shades utilize an external Electronic Drive Unit (EDU).

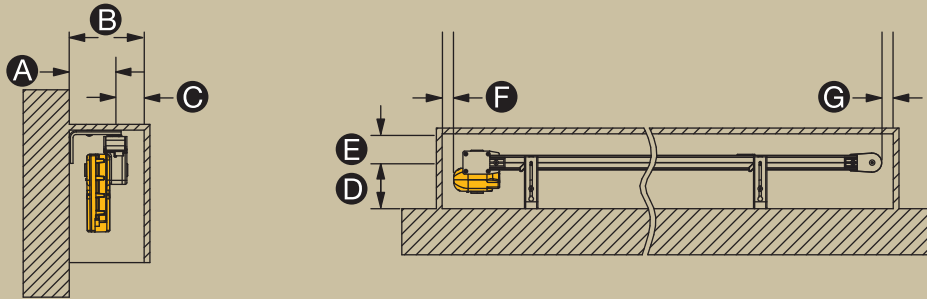


- A. 5.25" (14.43cm)
- B. 8.5" (21.59cm)

drapery track | installation

Single Drapery Track System

Maintain enough clearance between the drapery track and the inside face of the top treatment or ceiling recess to allow the fabric to move freely.

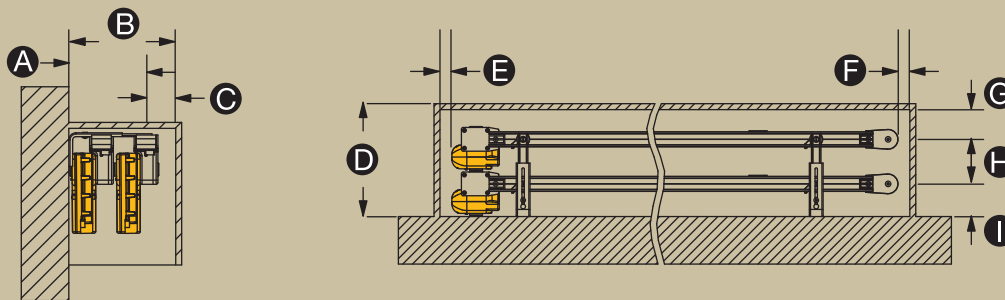


Dimensions*

- A. 3.00" (7.62cm)
- B. 5.00" (12.70cm)
- C. 2.00" (5.08cm)
- D. 3.00" (7.62cm)
- E. 2.00" (5.08cm)
- F. 1.00" (2.54cm)
- G. 1.00" (2.54cm)

Dual Drapery Track System

Sivoia QED drapery tracks can be used for a combination sheer/blackout treatment.

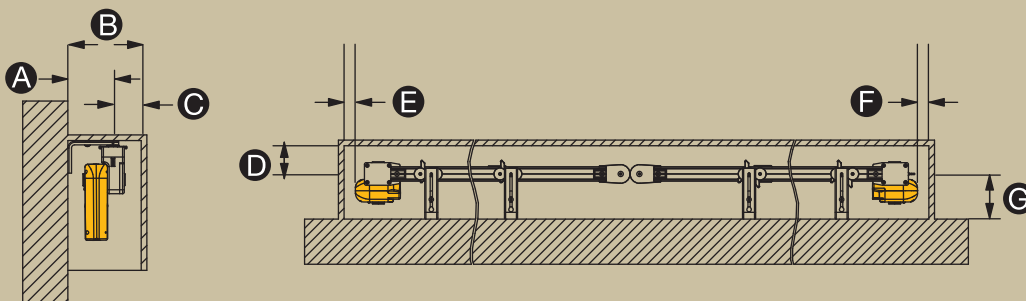


Dimensions*

- A. 7.25" (18.42cm)
- B. 9.25" (23.50cm)
- C. 2.00" (5.08cm)
- D. 9.25" (23.50cm)
- E. 1.00" (2.54cm)
- F. 1.00" (2.54cm)
- G. 2.00" (5.08cm)
- H. 4.25" (10.80cm)
- I. 3.00" (7.62cm)

Tandem Drapery Track System

The accuracy of movement and speed control of the Sivoia QED drapery system allows two independent systems to be used to create a split-draw drapery.

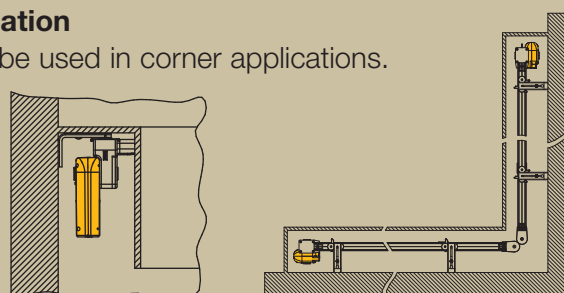


Dimensions*

- A. 3.00" (7.62cm)
- B. 5.00" (12.70cm)
- C. 2.00" (5.08cm)
- D. 2.00" (5.08cm)
- E. 1.00" (2.54cm)
- F. 1.00" (2.54cm)
- G. 3.00" (7.62cm)

Drapery Track Corner Application

Sivoia QED drapery tracks can be used in corner applications.



* Measurements listed are minimums.

Note- Sivoia QED Drapery tracks utilize an external EDU (highlighted)

Innovation

Lutron has built a strong reputation and highly respected name as the world's leading manufacturer of lighting control systems for over 40 years, continually innovating and expanding the marketplace. Lutron's first principal is to take care of our customer, offering world-class service and support.

Ultra-Quiet Electronic Drive

The Sivoia QED shading system operates at a near-silent level (rated at 44 dBA at three feet).

Speed Control

All shades in a Sivoia QED system will track in unison and stop at programmable preset positions consistently to within +/- 1/16th".

Intelligent Hembar Alignment™

Sivoia QED roller shade systems offer a patent-pending speed control enhancement, which allows Roller 100 and Roller 225 shade systems to move and track together, even though they use different size roller tubes. This provides consistent performance for roller shades applied to multiple window sizes in a single space. It also provides the most cost-effective solution, allowing the specification of the optimum tube size for each shade.

Remotely Programmable Presets

The Sivoia QED system can be reconfigured and presets can be reprogrammed at the point of control without rewiring and without access to the electronic drive (EDU) unit mounted in the window. Roller shades and draperies will maintain programmed presets within 1/8".

Minimal, Symmetrical Light Gaps

Sivoia QED roller shade systems offer typical light gaps of 3/4" per side.

Simplified Wiring

Sivoia QED shading systems do not require any group controllers, relays, or line-voltage wiring between electronic drive units. Wiring can be simplified by using an optional Sivoia QED power panel, allowing all system wiring to run to one convenient location.

Highly Configurable Brackets and Mounting Hardware

The Sivoia QED mounting brackets allow an installer to adjust a shade's level, projection, and side-to-side position, all after the shade is installed.

System Integration

Lutron lighting control systems, such as RadioRA®, RadioTouch™, HomeWorks®, and GRAFIK Eye™ seamlessly integrate with Sivoia QED shades, offering single-button control of both lighting and shades.

Presets Never Lost

Preset shade positions on the Sivoia QED system are electronically precision-set and locked into a 10-year power-failure memory. These presets and top and bottom limits will never slip or get lost regardless of age, electrostatic discharge, or power failure. Shades stop at preset positions with no audible click.

ElectroStatic Discharge (ESD)

The Sivoia QED system's electronic components are tested to withstand a 15,000 Volt electrostatic discharge without damage or loss of memory.

Decorative Control Options

Lutron controls are designed to match the high-end look and feel of today's premiere living and working spaces and are available in a wide variety of colors and finishes, including metals.

System Warranty and Support

Your Lutron system comes with an 8-year limited warranty. Lutron has factory-employed field service engineers throughout the world and is the only lighting control or shade systems manufacturer in the world with a 24-hour / 7 days a week technical support center.

Project Information

cover and page 2: Architecture by Robert Bentley Adams and Associates; Interior Design by Sydnye Pettengill, ASID

inside front cover: Architecture and Interior Design by Adamstein and Demetriou

top of page 4: Architecture by Scheurer Architects; Interiors by Design Tec Interiors

bottom of page 4 and page 5: Architecture by Paul D. Mankins, FAIA, Herbert Lewis Krues Blunck, interiors by

Renovation Style editors LuAnn Brandsen and Amy Elbert

page 10: Architecture by Javier de la Calzada, Madrid, Spain

Lutron Shading Solutions by VIMCO™ offers an 8-year limited warranty for our shading systems. Please contact customer service or visit our website for a complete warranty statement.

Lutron Shading Solutions by VIMCO reserves the right to make improvements or changes to these products without prior notice. Although every attempt is made to ensure that this information is accurate and up to date, please check with Lutron Shading Solutions by VIMCO to confirm product availability, latest specifications, and suitability for your application.

These products may be covered by one or more of the following US patents:-

4,803,380; 6,313,588; D436,930; D466,090;
4,835,343; 6,346,781; D453,742; D466,091;
4,924,349; 6,497,267; D456,783; D466,484;
5,180,886; D310,349; D461,782; D475,024;
5,671,387; D370,663; D462,332; D475,025
5,848,634; D391,924; D465,460;
6,100,659; D422,567; D465,770;

and corresponding foreign patents. US and foreign patents pending.

Lutron Shading Solutions by VIMCO

11520 Sun Shade Lane

Ashland, VA 23005

www.lutron.com

customer service

1.800.446.1503

24/7 tech support

1.800.523.9466

fax

1.804.752.3366

email

shadinginfo@lutron.com

©2004 LUTRON Electronics Co., Inc.

Printed in the U.S.A.

P/N 367-479 Rev. 08/04